

UK8-40-HYD-FRM-AL

1026929

The Ultra-Kool is a compact hydraulic reservoir, filter and cooler system. The frame isolation mounts make this perfect for severe applications.

Typical applications include:

Fertilizer Tenders
Petroleum Trucks
Seed Conveyors
Feed Body Trailers
Water Tanks



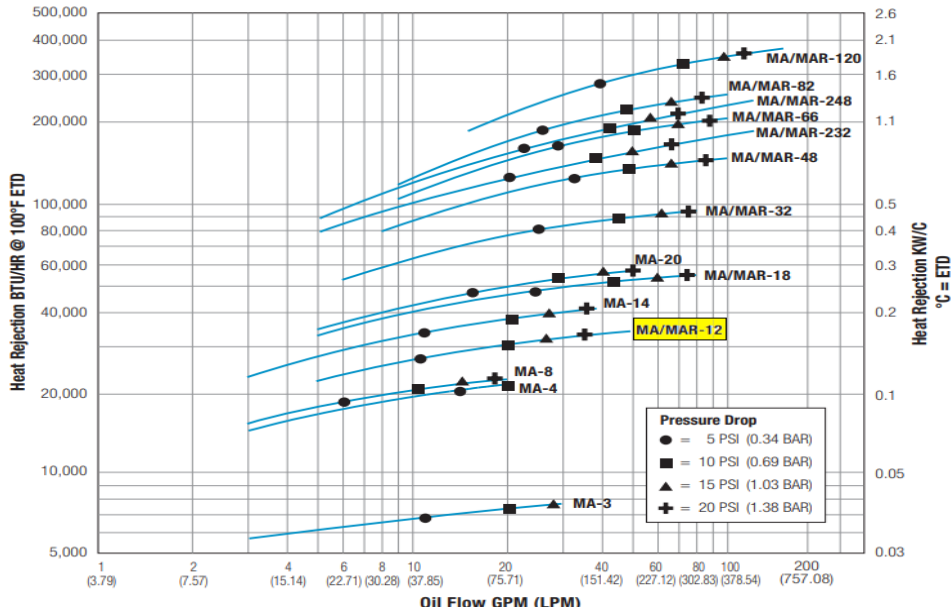
FEATURES

- ✓ High Flow Integral 10 Micron Filter with 25 PSI Bypass
- ✓ 10 Micron Filler-Breather
- ✓ Sight Level-Temperature Gauge
- ✓ Filter Element Condition Indicator Gauge
- ✓ 40 GPM Oil Cooler with Hydraulic Fan
- ✓ 8 Gallon Reservoir
- ✓ Powder Coated Aluminum Construction
- ✓ Cab Mounting Brackets Available
- ✓ 2" NPT Suction Ports (Qty 2)
- ✓ #16 ORB Return Port
- ✓ 2" Male NPT 100 Mesh Suction Strainer with 3 PSI Bypass (Qty 2)

PRODUCT & TECHNICAL SPECIFICATIONS

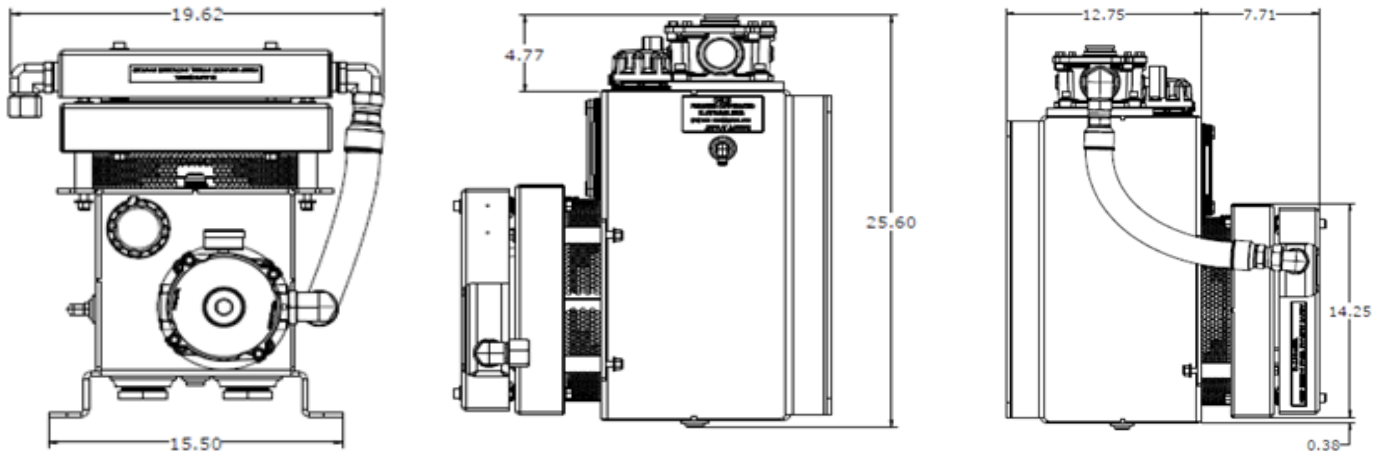
The **Inlet Temperature Difference** is the difference between the inlet oil temperature and the inlet air temperature in Fahrenheit. The smaller the difference is, the less ability the heat exchanger has to cool the oil.

MA Models - Core only (No Fan)

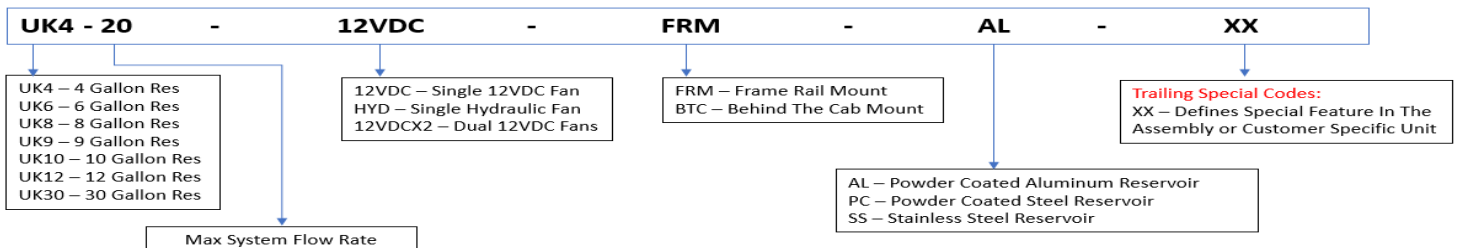


Model Number:

UK8-40 - 8 Gallon Reservoir - Hydraulic Fan
40 Gallons per minute of intermittent use
Intermittent use is described as 20 minute intervals.



Model Code Breakdown



1212232