



FORCE America Inc.

ULTRAKOOL Operator's Manual

FORCE America UK12-70-HYD-FRM-SS Operator's Manual



ULTRA KOOL



The High Performance, Compact Cooling System

Table of Contents

TABLE OF CONTENTS	2
UK12-70-HYD-FRM-SS – MODEL CODE BREAKDOWN	3
UK12-70-HYD-FRM-SS – EXPLODED PARTS VIEW	3
UK12-70-HYD-FRM-SS – BILL OF MATERIAL	4
UK12-70-HYD-FRM-SS – DIMENSIONS.....	6
UK12-70-HYD-FRM-SS – TYPICAL PLUMBING LAYOUT	7
UK12-70-HYD-FRM-SS – STARTUP PROCEDURE STEPS	8
UK12-70-HYD-FRM-SS – MAINTENANCE RECOMMENDATIONS	9
UK12-70-HYD-FRM-SS – TROUBLESHOOTING	9
UK12-70-HYD-FRM-SS – PRODUCT INFORMATION	10
BOLR-400-226740 - HYDRAULIC COOLER SPECIFICATIONS.....	11
CONTACT US.....	12

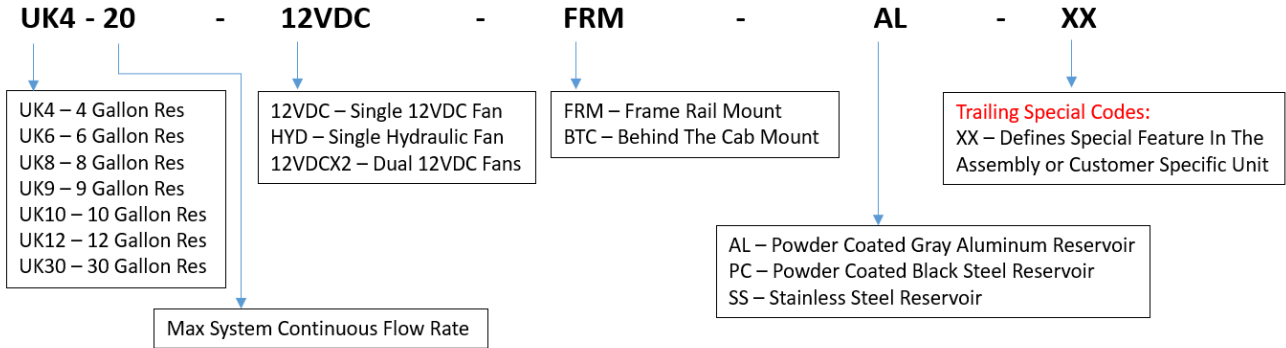
Warranty Disclaimer

Seller warrants that any goods sold by Seller to Buyer shall be free from defects in material and workmanship for a period of one (1) year from the date of delivery. THIS WARRANTY SHALL BE THE SOLE AND EXCLUSIVE WARRANTY MADE BY SELLER TO BUYER. SELLER HEREBY DISCLAIMS ANY IMPLIED WARRANTIES, INCLUDING, WITHOUT LIMITATION, ANY IMPLIED WARRANTIES OF MERCHANTABILITY OR FITNESS FOR A PARTICULAR PURPOSE.

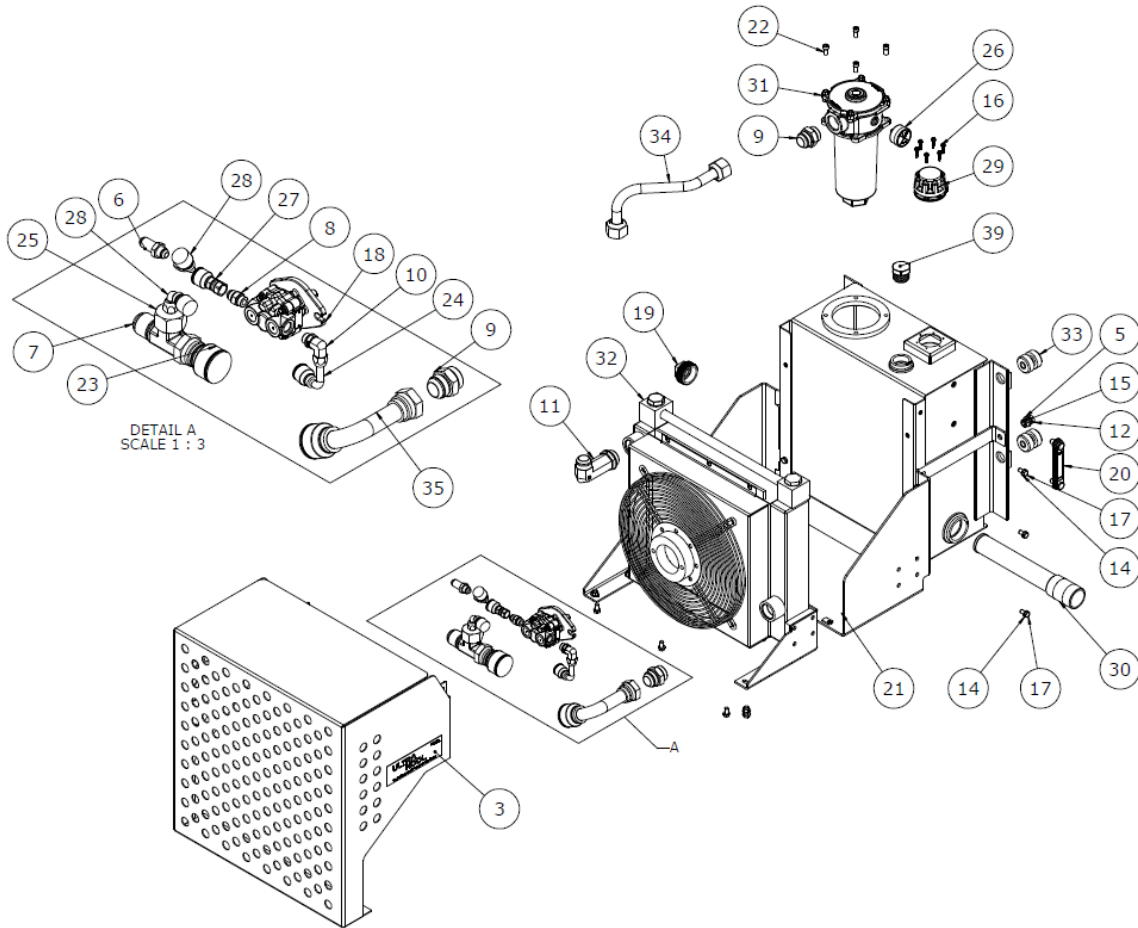
ULTRA KOOL

The High Performance, Compact Cooling System

UK12-70-HYD-FRM-SS – Model Code Breakdown



UK12-70-HYD-FRM-SS – Exploded Parts View



ULTRA KOOL



The High Performance, Compact Cooling System

UK12-70-HYD-FRM-SS – Bill of Material

ITEM NO.	PART NUMBER	DESCRIPTION	QTY.
1	1010303	3/8"-16 HEX NUT, GR5, ZINC	4
2	1011466	3/8"-16 X 1" HHCS, GR5, ZINC	4
3	1011613	ULTRAKOOL LOGO DECAL	2
4	1011760	WELDMENT, DIFFUSER, 1-1/2 NPT THREAD	1
5	1011765	1/2" SCREW SIZE FLAT WASHER, STEEL	2
6	1013426	FITTING -08 MJIC X -08 MJIC BULKHEAD UNION	1
7	1013459	FITTING -20 MJIC X -20 MJIC X -20 MJIC BULKHEAD UNION TEE	1
8	1013938	FITTING STRAIGHT -8 MJIC X -8 MORB	1
9	1013967	FITTING STRAIGHT -20 MJIC / -20 MORB	2
10	1014311	FITTING 90 DEG -8 MJIC / -8 MORB	1
11	1014353	FITTING 90 DEG EXTRA LONG -20 MJIC / -20 MORB	1
12	1014914	1/2"-13 X 1" HHCS, ZINC	2
13	1014969	3/8" SAE FLAT WASHER, ZINC	8
14	1014971	3/8" SCREW SIZE LOCK WASHER, MEDIUM SPLIT, ZINC	11
15	1014978	1/2"-13 HEX NUT, GR5, ZINC	2
16	1015115	#12-14 X 1" SELF DRILLING SCREW, HEX WASHER HEAD, ZINC	6
17	1015139	3/8"-16 X 3/4" HHCS, GR5, ZINC	11
18	1025287	HYDRAULIC MOTOR	1
19	1030867	2" NPT SQUARE-HEAD PLUG	1
20	1067943	5" LEVEL/BLUE TEMP GAUGE, M12 BOLTS	1
21	1067982	PLUG, MAGNETIC SQUARE HEAD, 3/4"-14 NPTF, STL	1
22	1068876	3/8"-16 X 3/4" SHCS 18-8 STAINLESS	4
23	1071758	20 FEMALE JIC SWIVEL STRAIGHT FOR 1-1/4" HOSE	1
24	1072192	08 FEMALE JIC LONG DROP 90 ELBOW FOR 1/2" HOSE	1
25	1075566	FITTING -20 FJIC X -08 MJIC REDUCER/EXPANDER	1
26	1086823	0-60 PSI BYPASS GAUGE - 1/8" NPT	1
27	1089077	08 FEMALE JIC SWIVEL STRAIGHT FOR 1/2" HOSE	1
28	1089083	08 FEMALE JIC 90 ELBOW FOR 1/2" HOSE	2
29	1090203	FB-10-00-0 03-0-0	1
30	1090430	STRAINER, 2" NPTF MALE THREAD, 2" NPTF OUTLET PORT	1
31	1090443	SUCTION / RETURN LINE TANK TOP FILTER	1

ULTRA KOOL



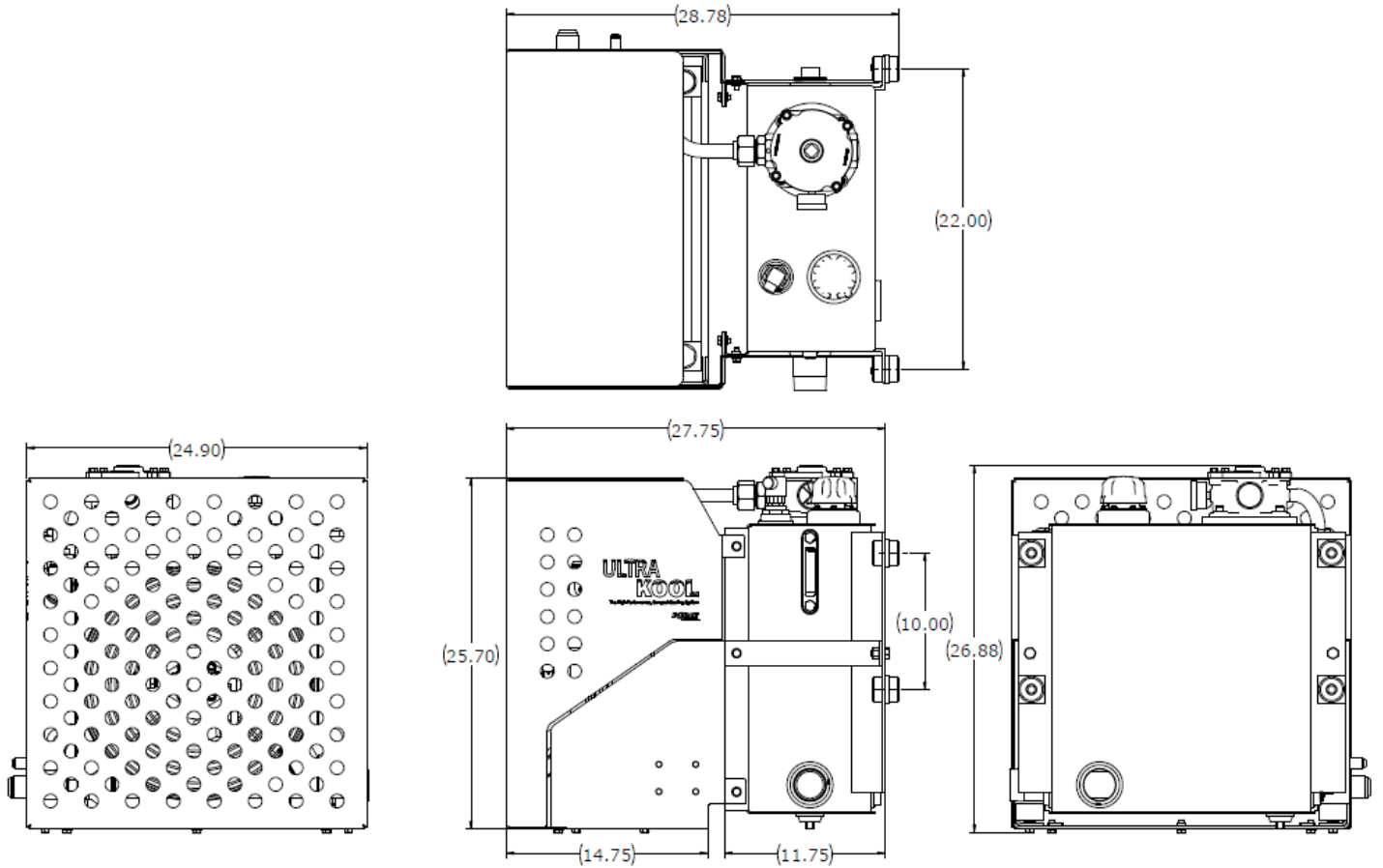
The High Performance, Compact Cooling System

32	1177936	BOLR-400-226740	1
33	1097650	ISOLATOR, BONDED BUSHING & SNUBBER	4
34	1130377	1-1/4 NPT HEX HEAD PLUG STAINLESS STEEL	1
35	1156195	TUBE, UK12 RETURN LINE, SS	1
36	1157033	20 FEMALE JIC LONG DROP 90 ELBOW FOR 1-1/4" HOSE	1
37	1190158	WELDMENT, UK12 CRADLE BRACKET, SS	1
38	1190159	WELDMENT, UK12 SHROUD, HYDRAULIC, SS	1
39	1190160	WELDMENT, UK12 HYDRAULIC TANK, SS	1

ULTRA KOOL

The High Performance, Compact Cooling System

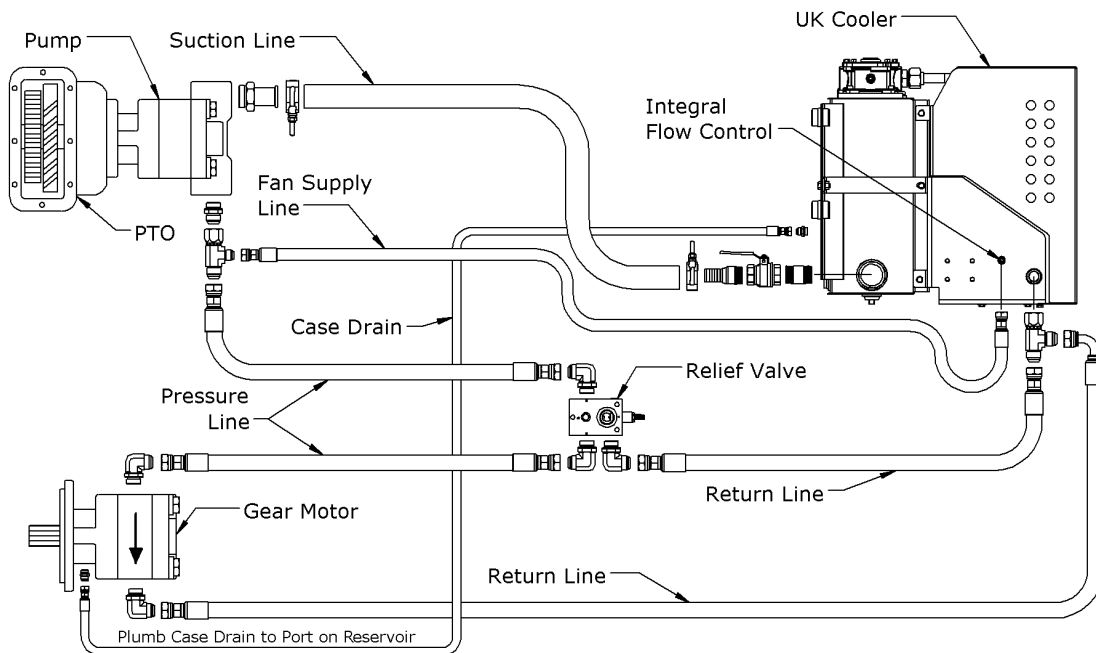
UK12-70-HYD-FRM-SS – Dimensions



ULTRA KOOL

The High Performance, Compact Cooling System

UK12-70-HYD-FRM-SS – Typical Plumbing Layout



ULTRA KOOL



The High Performance, Compact Cooling System

UK12-70-HYD-FRM-SS – Startup Procedure Steps

1. Mount unit to truck chassis.
2. Plumb all hydraulic lines per plumbing diagrams and application diagrams.
3. Fill Reservoir to the high end of the sight gauge.
4. Engage PTO at low RPM levels.
5. Continually add oil to make sure oil level stays visible within the sight gauge.
6. After oil level stays steady check for leaks and repair before continuing.
7. Verify fan operation for either hydraulic or electric fans.
8. Slowly increase PTO speed to get desired pump RPMs.
9. Run system until oil gets to temp (electric) and verify oil is being cooled (both fan types).

Should take roughly 5-10 minutes to verify.

10. Operate all functions of the system to verify the system is properly bled of air.
11. Disengage PTO.
12. System is functional and ready for full operation.

UK12-70-HYD-FRM-SS – Maintenance Recommendations

General – Look over your Ultra-Kool system before each use to make sure there are no leaks, and all components are good working order.

Oil – Replace every 12 months or sooner depending on operational conditions. Only oil based hydraulic fluids should be used in this system. Please contact FORCE America if you have any questions related to the fluid you'd like to use in your system.

Filters – Replace as indicated by the gauge on the return filter housing. Replacement filter part number can be obtained from the parts breakdown diagram.

Hoses – Replace hoses due to any leaks or a visual inspection revealing abrasions or cracking.

Cooler – Rinse every 3-6 months with low pressure water (under 200 PSI). When used in dirty environments, it is recommended to rinse the cooler more frequently for optimal performance.

UK12-70-HYD-FRM-SS – Troubleshooting

Cooling – If system is not cooling properly check the following items.

- Clean or rinse the cooler to remove debris
- Check to make sure the fan is engaging and functioning properly
- Check for additional heat coming from relief valves not functioning properly
- Check to make sure you don't have pump cavitation in your system

Noise – If the system is making excessive noise check the following items.

- Fan is engaging and functioning correctly
- Check oil level is in the center of your sight gauge
- Make sure all bolts are securely fastened on the unit

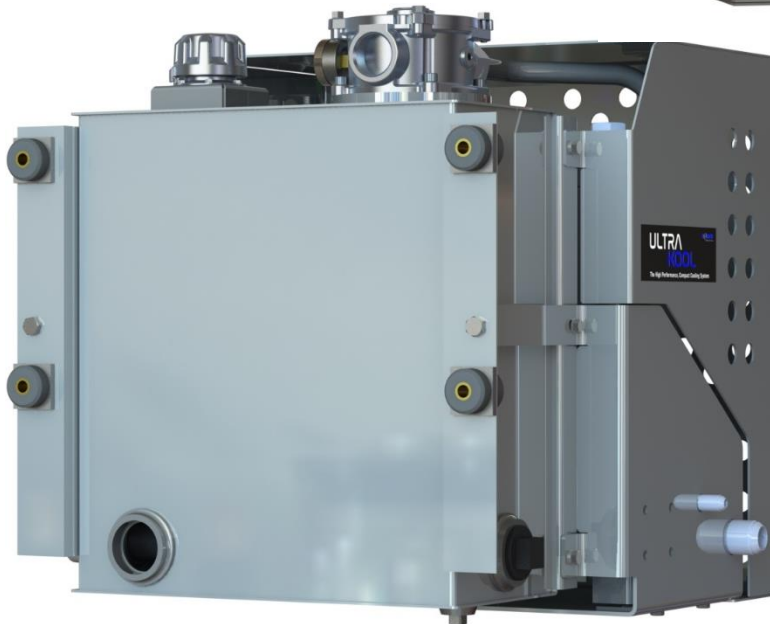
ULTRA KOOL

The High Performance, Compact Cooling System

UK12-70-HYD-FRM-SS – Product Information

Technical Specifications:

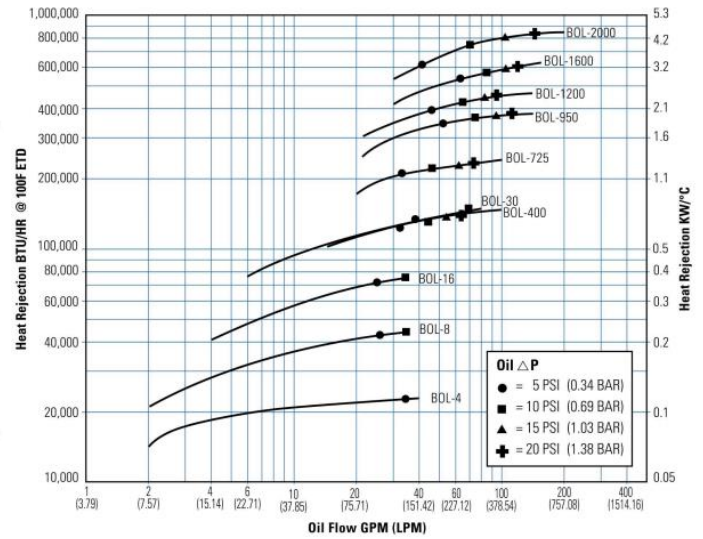
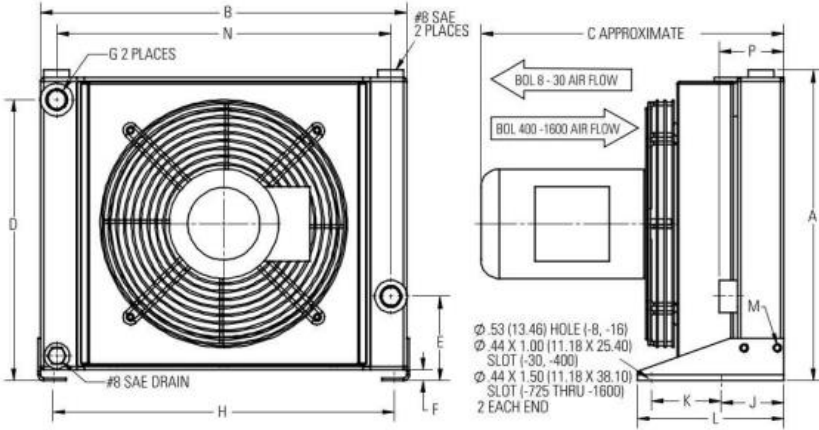
Height 26.88 inches
Depth 27.75 inches
Width 24.90 inches
Oil capacity 12 gallons
Fan speed 1800 rpm



ULTRA KOOL

The High Performance, Compact Cooling System

BOLR-400-226740 - Hydraulic Cooler Specifications



strate heat rejection values 15% if using 50Hz motors.

Model	A	B	C	D	E	F	G		H	J	K	L	M	N	P	Approx. Ship Wt. lbs (kg)
							SAE	NPT & BSPP								
BOL-4	See diagram above						#12 SAE	3/4"	See diagram above						18 (8.16)	
BOL-8	12.56 (319)	15.81 (402)	15.94 (405)	11.34 (288)	4.51 (115)	0.57 (14)	#12 SAE	3/4"	14.44 (361)	3.36 (85)	3.74 (95)	7.87 (200)	M8 BOLT (2PL)	13.99 (355)	3.63 (92)	45 (20.4)
BOL-16	16.33 (415)	19.69 (500)	16.43 (417)	15.06 (383)	4.57 (116)	0.57 (14)	#12 SAE	3/4"	18.31 (465)	3.35 (85)	3.74 (95)	7.87 (200)	M8 BOLT (2PL)	17.95 (456)	3.63 (92)	55 (24.94)
BOL-30	20.13 (511)	26.38 (670)	17.88 (454)	19.49 (495)	5.26 (134)	1.32 (340)	#20 SAE	1 1/4"	24.74 (628)	4.15 (105)	5.00 (127)	9.9 (251)	M8 BOLT (4PL)	24.34 (618)	5.00 (127)	125 (56.70)
BOL-400	18.90 (480)	22.38 (568)	18.6 (472)	17.31 (440)	6.50 (165)	2.00 (51)	#20 SAE	1 1/4"	22.31 (567)	4.15 (105)	5.00 (127)	9.9 (251)	M8 BOLT (4PL)	20.07 (510)	5.00 (127)	148 (67.13)
BOL-725	23.40 (594)	30.25 (768)	17.56 (446)	21.62 (549)	6.50 (165)	2.00 (51)	#20 SAE	1 1/4"	30.11 (765)	4.15 (105)	5.00 (127)	9.9 (251)	M10 BOLT (4PL)	27.95 (710)	5.00 (127)	170 (77.11)
BOL-950	27.70 (705)	37.01 (940)	22.68 (576)	24.55 (624)	9.50 (241)	2.00 (51)	2" SAE 4 BOLT FLANGE	2"	35.87 (911)	6.05 (154)	9.20 (234)	16 (406)	M10 BOLT (4PL)	34.26 (9870)	7.00 (178)	300 (136.08)
BOL-1200	28.38 (721)	40.98 (1041)	24.05 (611)	24.55 (624)	5.50 (140)	2.00 (51)		2"	40.29 (1023)	6.05 (154)	9.20 (234)	16 (406)	M10 BOLT (4PL)	38.18 (970)	8.75 (222)	430 (195.04)
BOL-1600	36.50 (927)	40.98 (1041)	25.43 (646)	32.80 (833)	9.50 (241)	2.00 (51)		2"	40.29 (1023)	6.05 (154)	9.20 (234)	16 (406)	M10 BOLT (4PL)	38.18 (970)	8.75 (222)	515 (233.60)
BOL-2000	See diagram above						2"	2"	See diagram above						582 (264.00)	

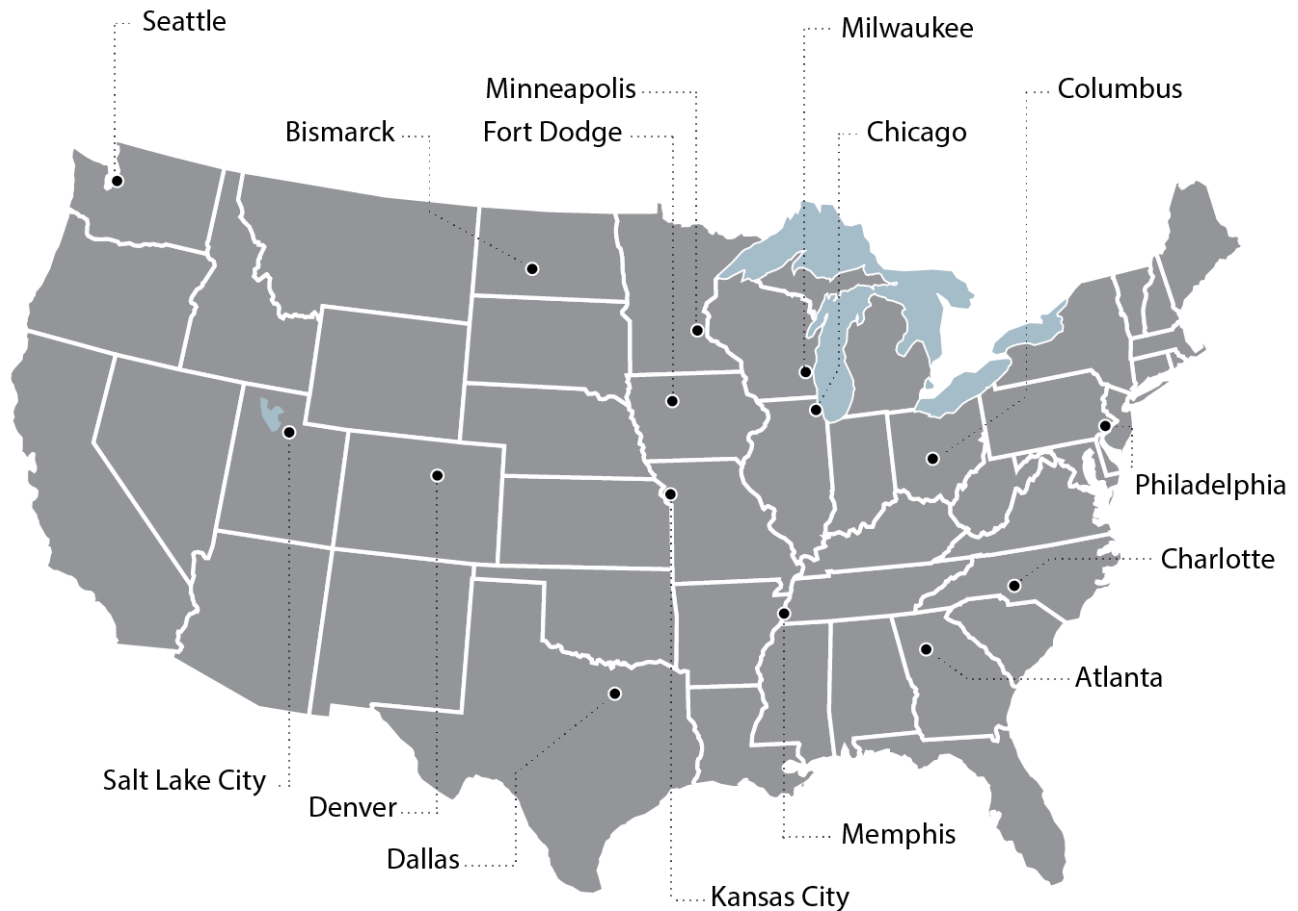
Note: We reserve the right to make reasonable design changes without notice. All dimensions are in inches (millimeters) unless noted otherwise.

ULTRA KOOL



The High Performance, Compact Cooling System

Contact Us



Atlanta, Georgia 888-293-2325
Bismarck, North Dakota 800-624-7568
Charlotte, North Carolina 800-788-8598
Chicago, Illinois 800-433-5765
Columbus, Ohio 888-449-0356
Dallas, Texas 800-893-7225
Denver, Colorado 888-833-7711
Fort Dodge, Iowa 800-362-2994

Kansas City, Missouri 800-383-4724
Memphis, Tennessee 888-845-5876
Milwaukee, Wisconsin 800-722-5844
Minneapolis, Minnesota 800-328-2732
Philadelphia, Pennsylvania 800-492-6621
Salt Lake City, Utah 877-230-0505
Seattle, Washington 800-354-9028