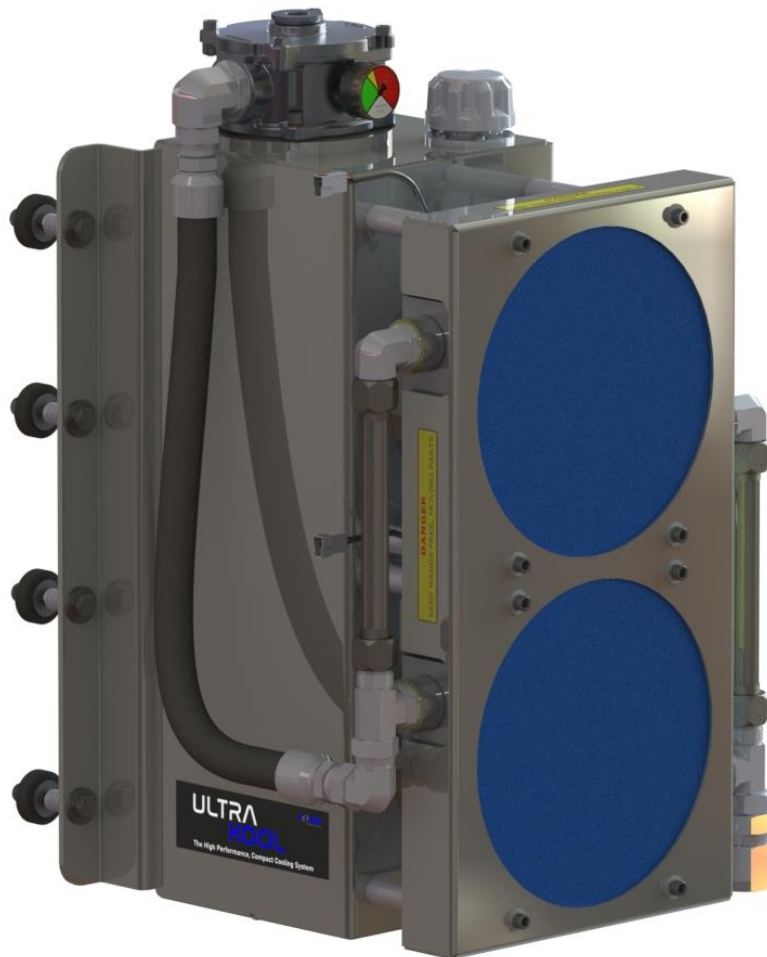




FORCE America Inc.

ULTRAKOOL Operator's Manual

FORCE America UK10-70-12VDCX2-FRM-AL Operator's Manual



FORCE America Inc.
8633 Eagle Creek Pkwy
Savage, MN 55378
Tel: (888) 99FORCE
www.forceamerica.com

September 2024

ULTRA KOOL



The High Performance, Compact Cooling System

Table of Contents

TABLE OF CONTENTS	2
UK10-70-12VDCX2-FRM-AL – MODEL CODE BREAKDOWN	3
UK10-70-12VDCX2-FRM-AL – EXPLODED PARTS VIEW	3
UK10-70-12VDCX2-FRM-AL – BILL OF MATERIAL	4
UK10-70-12VDCX2-FRM-AL – DIMENSIONS	6
UK10-70-12VDCX2-FRM-AL – ELECTRICAL START OPTIONS.....	7
UK10-70-12VDCX2-FRM-AL – TYPICAL PLUMBING LAYOUT	11
UK10-70-12VDCX2-FRM-AL – STARTUP PROCEDURE STEPS.....	12
UK10-70-12VDCX2-FRM-AL – MAINTENANCE RECOMMENDATIONS.....	13
UK10-70-12VDCX2-FRM-AL – TROUBLESHOOTING	13
UK10-70-12VDCX2-FRM-AL – PRODUCT INFORMATION	14
MA-12 - HYDRAULIC COOLER SPECIFICATIONS	15
CONTACT US.....	16

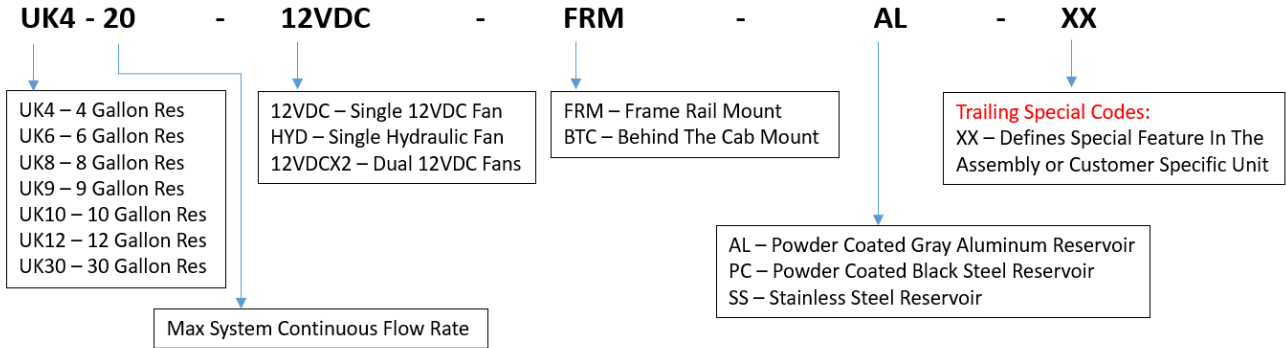
Warranty Disclaimer

Seller warrants that any goods sold by Seller to Buyer shall be free from defects in material and workmanship for a period of one (1) year from the date of delivery. THIS WARRANTY SHALL BE THE SOLE AND EXCLUSIVE WARRANTY MADE BY SELLER TO BUYER. SELLER HEREBY DISCLAIMS ANY IMPLIED WARRANTIES, INCLUDING, WITHOUT LIMITATION, ANY IMPLIED WARRANTIES OF MERCHANTABILITY OR FITNESS FOR A PARTICULAR PURPOSE.

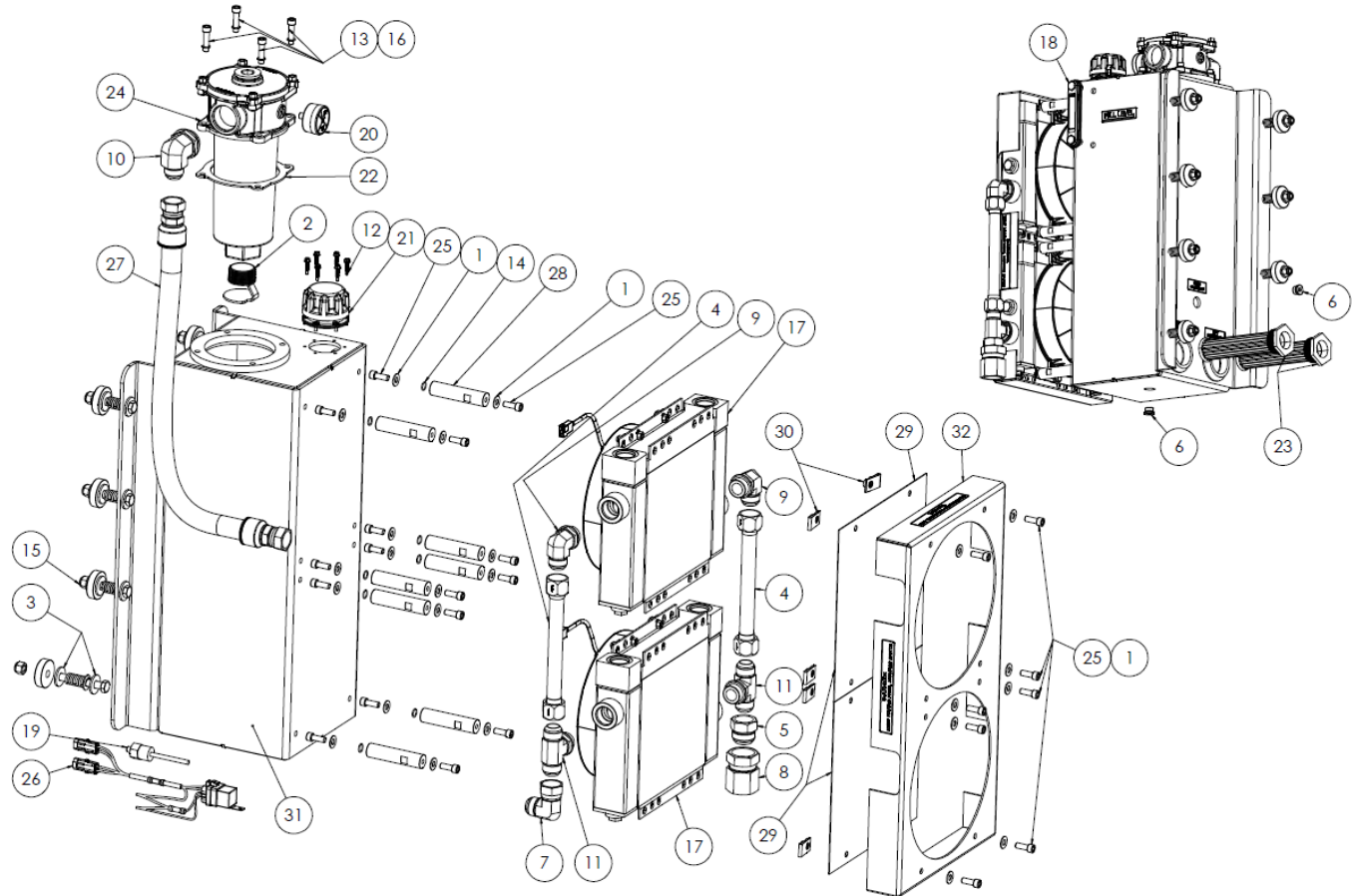
ULTRA KOOL

The High Performance, Compact Cooling System

UK10-70-12VDCX2-FRM-AL – Model Code Breakdown



UK10-70-12VDCX2-FRM-AL – Exploded Parts View



ULTRA KOOL



The High Performance, Compact Cooling System

UK10-70-12VDCX2-FRM-AL – Bill of Material

ITEM NO.	PART NUMBER	DESCRIPTION	QTY.
1	1010799	3/8" FLAT WASHER, GENERAL PURPOSE, 18-8 STAINLESS	24
2	1011760	WELDMENT, DIFFUSER, 1-1/2 NPT THREAD	1
3	1011765	1/2" FLAT WASHER, USS, ZINC	16
4	1011795	ASSEMBLY, TUBE, UK10-80	2
5	1013260	-16 FEMALE JIC X -20 MALE JIC	1
6	1014114	SOCKET HEAD PLUG 3/4 X 16 MALE ORB STEEL	2
7	1014182	ADAPTER 90 DEG ELBOW MALE JIC X FEMALE JIC SWIVEL STEEL	1
8	1014253	ADAPTER STRAIGHT FEMALE JIC SWIVEL X FEMALE NPT STEEL	1
9	1014330	ELBOW 1-5/16 X 12 MALE JIC X 1-5/16 X 12 MALE ORB STEEL	2
10	1014331	ELBOW 1-5/16 X 12 MALE JIC X 1-5/8 X 12 MALE ORB STEEL	1
11	1014397	ADAPTER BRANCH TEE MALE JIC X MALE JIC X MALE ORB STEEL	2
12	1015115	#12-14 X 1" SELF DRILLING SCREW, HEX WASHER HEAD, ZINC	6
13	1015229	3/8"-16 X 1-1/2" SHCS 18-8 STAINLESS	4
14	1023935	O-RING 70 DURO	8
15	1031121	MOUNTING KIT FOR UPRIGHT RESERVOIR	2
16	1035571	WASHER, COPPER	4
17	1039435	MA-12 COOLER	2
18	1067943	5" SIGHT GAUGE/BLUE THERMOMETER - M-12 MOUNTING BOLTS	1
19	1069986	PRESSURE SWITCH 25 PSI WITH DEUTSCH CONNECTION	1
20	1087964	GAUGE, FILTER INDICATOR, 0-60 PSI	1
21	1090203	RESERVOIR FILLER BREATHER	1
22	1090319	RG11, GASKET, TR/TS FILTER, REPLACES O-RING	1
23	1090428	2" MALE X 1-1/4" FEMALE NPT - 3 PSI BYPASS - SUCTION STRAINER	2
24	1090448	71GPM RETURN-24 GPM SUCTION-100PSI MAX-13.28"LENGTH	1
25	1096203	3/8"-16 X 1" SHCS STAINLESS	24
26	1105858	HARNESS, ULTRA-KOOL, DUAL UK10-80	1
27	1161803	WH00416-16Z-616-616-25 CUT	1
28	1205988	FFP, UK 12VDC STANDOFF, AL	8
29	1206079	PERFORATED SHEET, PC BLUE	2
30	1206918	NO-SLIP CLIP-ON BARREL NUT 3/8 X 16	8

ULTRA KOOL



The High Performance, Compact Cooling System

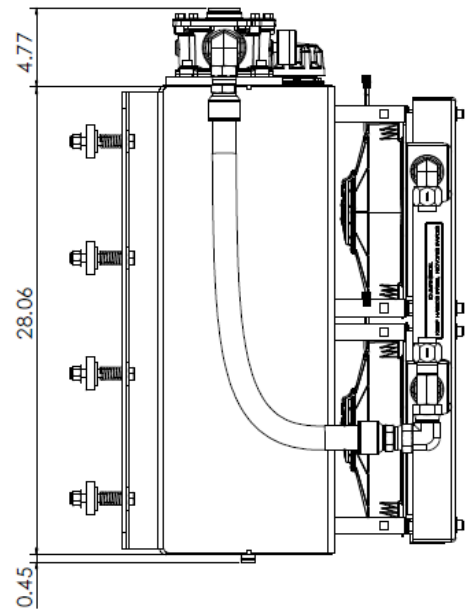
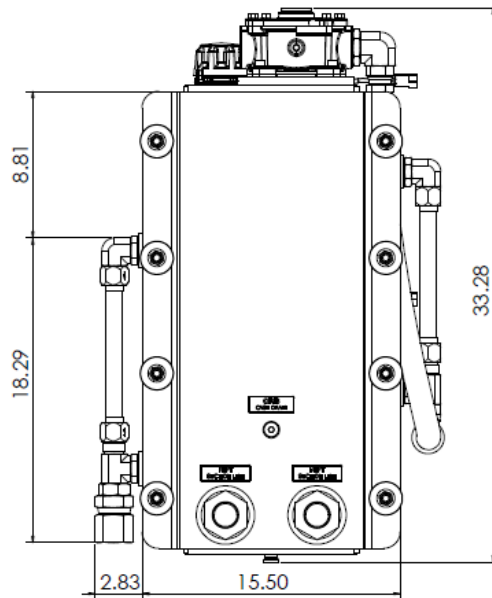
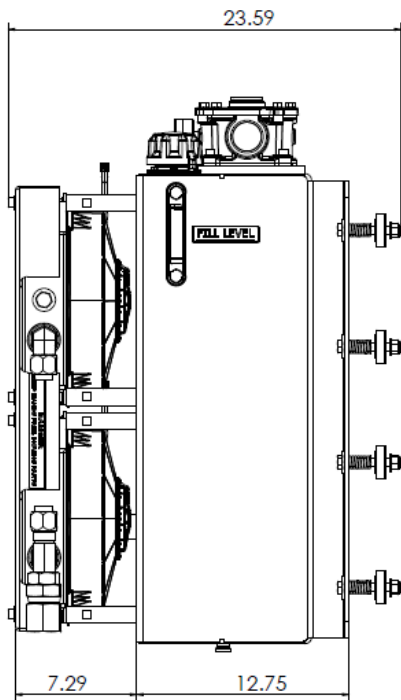
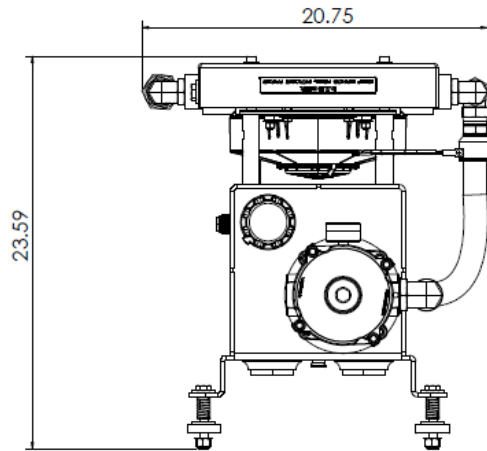
31	1207001	WELDMENT, UK10-70-12VDCX2, AL, PC	1
32	1207006	PP, FRMD SHT, UK10-80-12VDC, FAN COVER, AL	1
33	1207215	UK DECAL SHEET - CASE DRAIN DECAL	1
34	1207215	UK DECAL SHEET - DANGER DECAL	3
36	1207215	UK DECAL SHEET - NPT SUCTION DECAL	2

ULTRA KOOL



The High Performance, Compact Cooling System

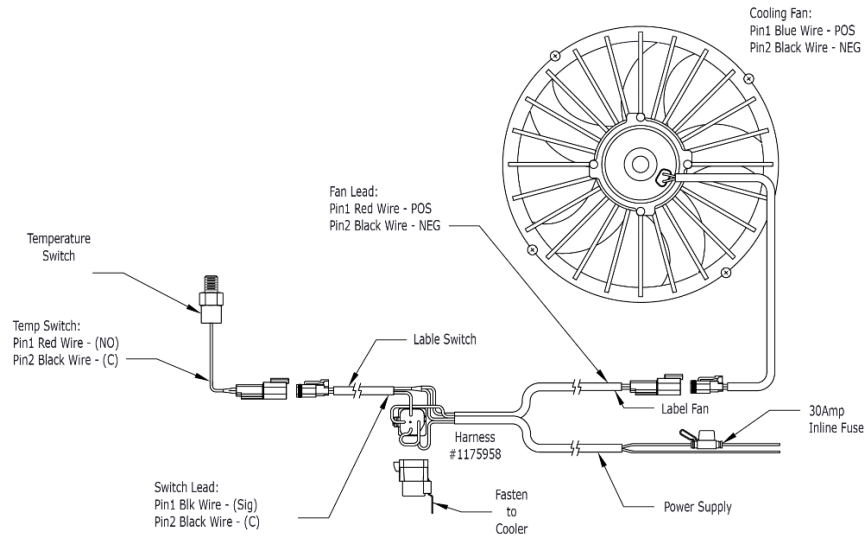
UK10-70-12VDCX2-FRM-AL – Dimensions



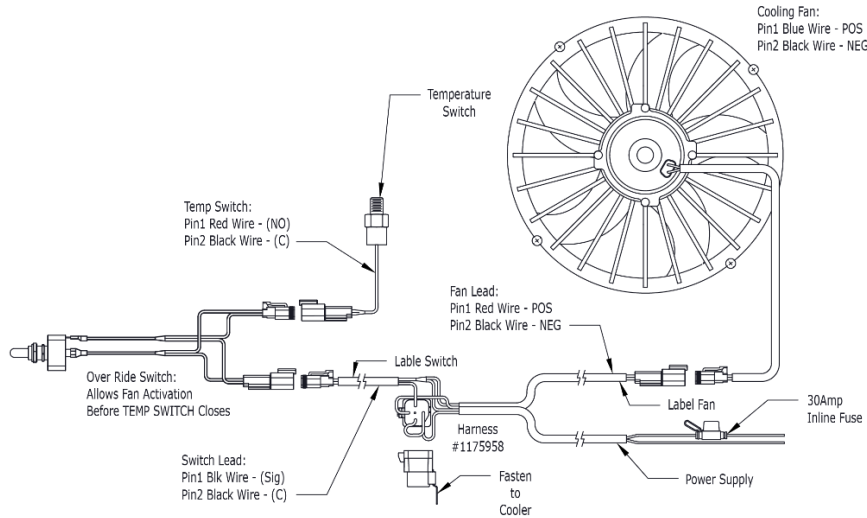
ULTRA KOOL

The High Performance, Compact Cooling System

UK10-70-12VDCX2-FRM-AL – Electrical Start Options



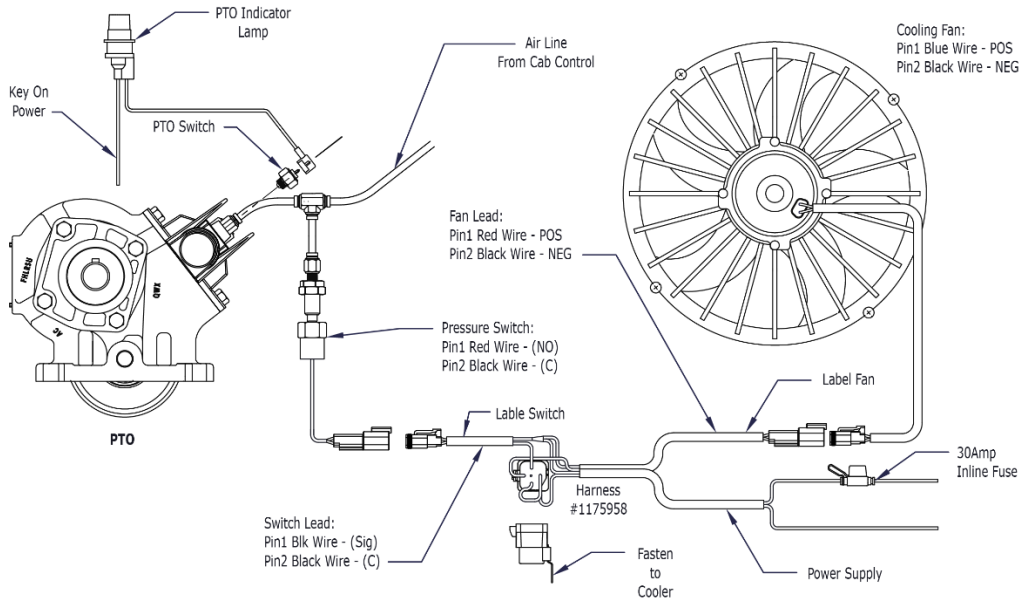
Temperature Switch Fan Activation



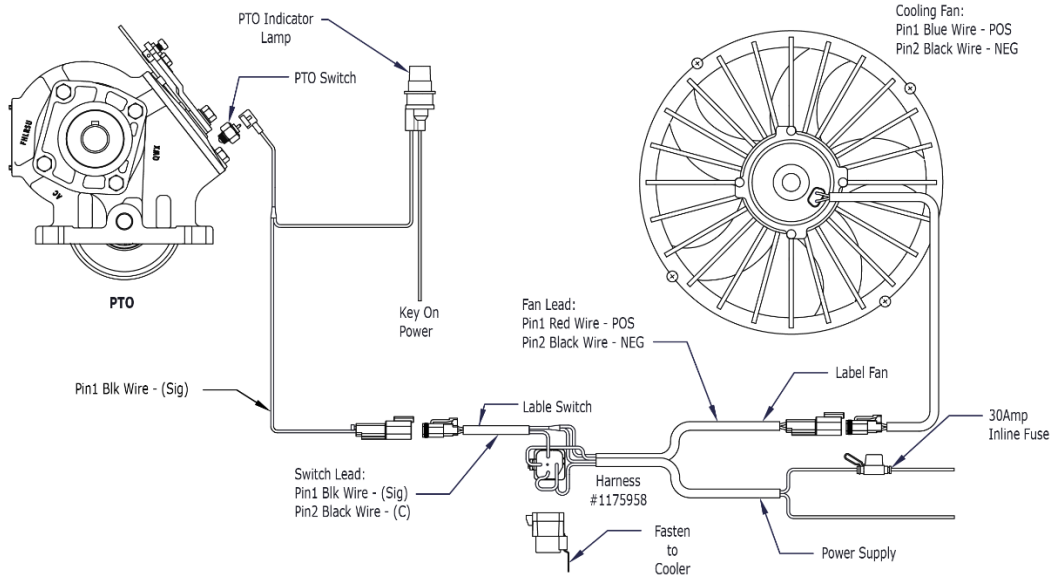
Temperature Switch Fan Activation W/Override

ULTRA KOOL

The High Performance, Compact Cooling System



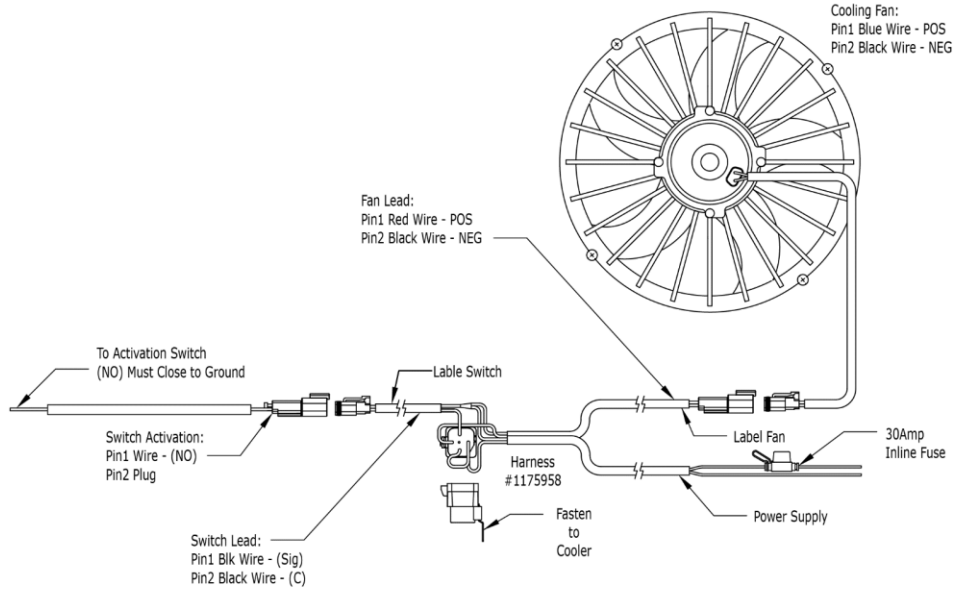
Air Shift PTO Fan Activation



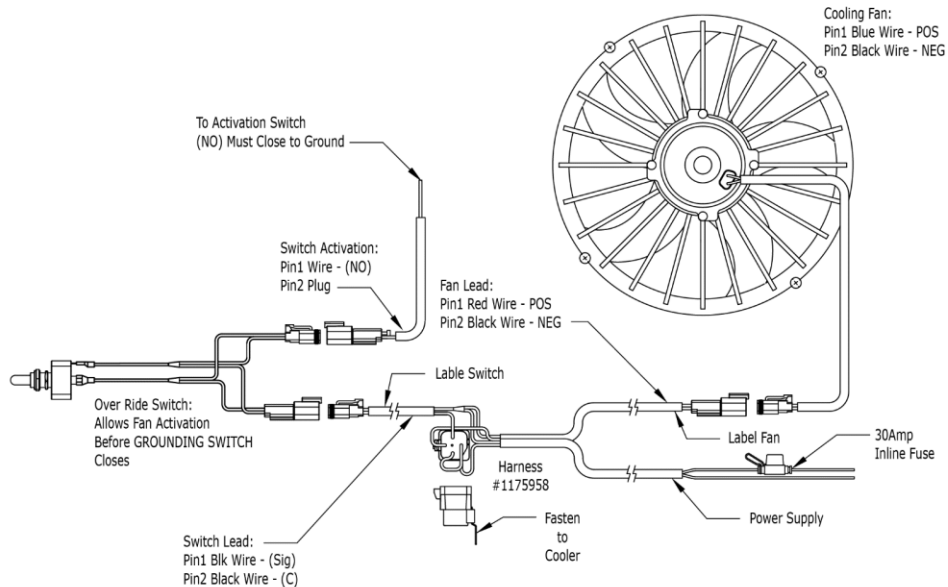
Cable Shift PTO Fan Activation

ULTRA KOOL

The High Performance, Compact Cooling System



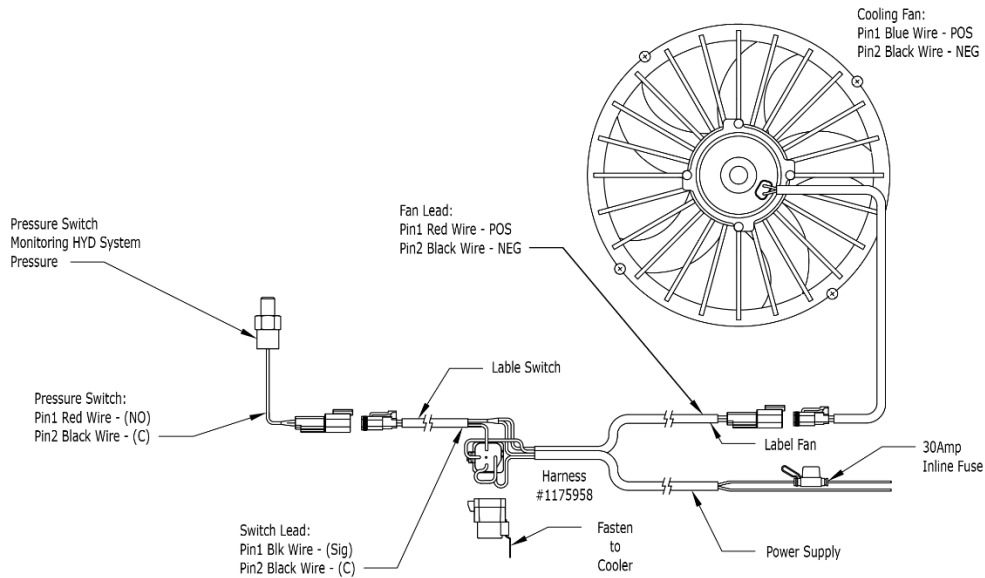
Grounding Switch Fan Activation



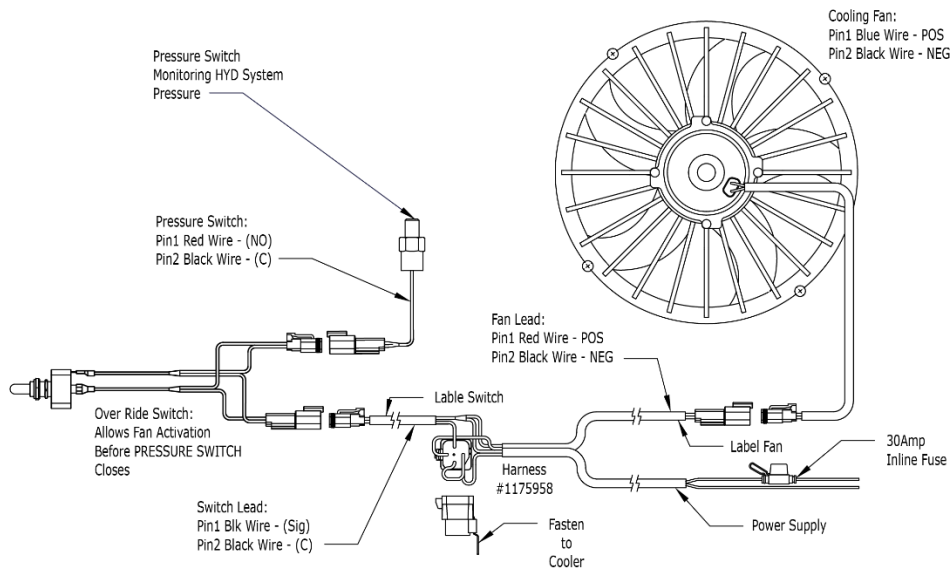
Grounding Switch Fan Activation W/Override

ULTRA KOOL

The High Performance, Compact Cooling System



Pressure Switch Fan Activation

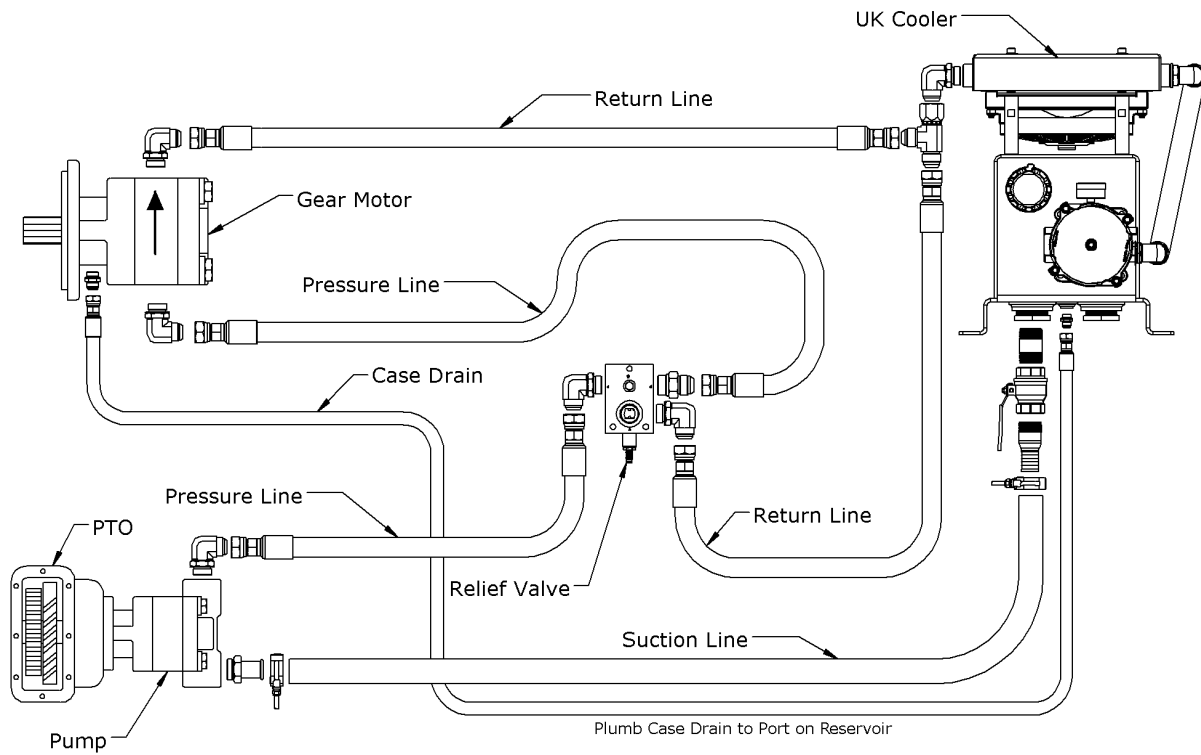


Pressure Switch Fan Activation W/Override

ULTRA KOOL

The High Performance, Compact Cooling System

UK10-70-12VDCX2-FRM-AL – Typical Plumbing Layout



ULTRA KOOL



The High Performance, Compact Cooling System

UK10-70-12VDCX2-FRM-AL – Startup Procedure Steps

1. Mount unit to truck chassis.
2. Plumb all hydraulic lines per plumbing diagrams and application diagrams.
3. Fill Reservoir to the high end of the sight gauge.
4. Engage PTO at low RPM levels.
5. Continually add oil to make sure oil level stays visible within the sight gauge.
6. After oil level stays steady check for leaks and repair before continuing.
7. Verify fan operation for either hydraulic or electric fans.
8. Slowly increase PTO speed to get desired pump RPMs.
9. Run system until oil gets to temp (electric) and verify oil is being cooled (both fan types).

Should take roughly 5-10 minutes to verify.

10. Operate all functions of the system to verify the system is properly bled of air.
11. Disengage PTO.
12. System is functional and ready for full operation.

UK10-70-12VDCX2-FRM-AL – Maintenance Recommendations

General – Look over your Ultra-Kool system before each use to make sure there are no leaks, and all components are good working order.

Oil – Replace every 12 months or sooner depending on operational conditions. Only oil based hydraulic fluids should be used in this system. Please contact FORCE America if you have any questions related to the fluid you'd like to use in your system.

Filters – Replace as indicated by the gauge on the return filter housing. Replacement filter part number can be obtained from the parts breakdown diagram.

Hoses – Replace hoses due to any leaks or a visual inspection revealing abrasions or cracking.

Cooler – Rinse every 3-6 months with low pressure water (under 200 PSI). When used in dirty environments, it is recommended to rinse the cooler more frequently for optimal performance.

UK10-70-12VDCX2-FRM-AL – Troubleshooting

Cooling – If system is not cooling properly check the following items.

- Clean or rinse the cooler to remove debris
- Check to make sure the fan is engaging and functioning properly
- Check for additional heat coming from relief valves not functioning properly
- Check to make sure you don't have pump cavitation in your system

Noise – If the system is making excessive noise check the following items.

- Fan is engaging and functioning correctly
- Check oil level is in the center of your sight gauge
- Make sure all bolts are securely fastened on the unit

ULTRA KOOL

The High Performance, Compact Cooling System

UK10-70-12VDCX2-FRM-AL – Product Information

Technical Specifications:

Height 33.28 inches
Depth 20.04 inches
Width 20.75 inches
Oil capacity 10 gallons
Fan speed 3600 rpm

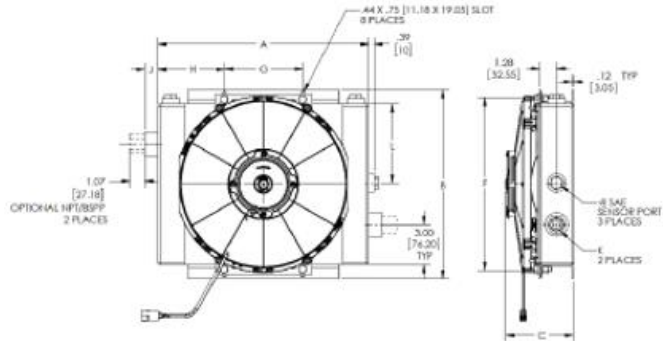


ULTRA KOOL

The High Performance, Compact Cooling System

MA-12 - Hydraulic Cooler Specifications

MA-12, MA-18, MA-32

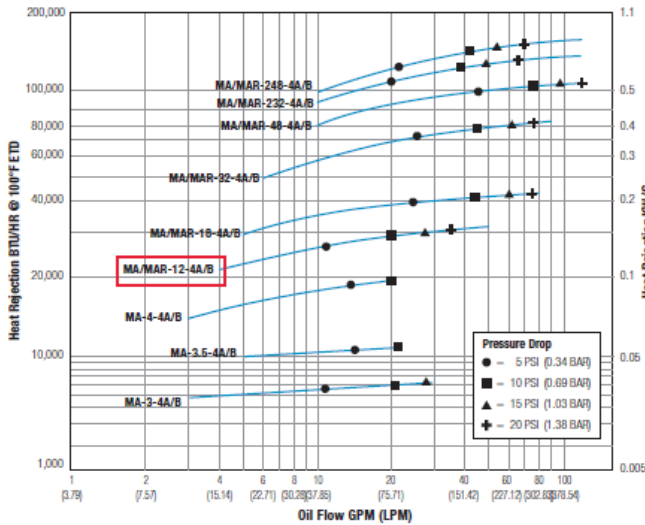


Brushless fan option has different dimensions. Consult factory.

Model	A	B	C		F		G	H	J	K		
			Standard	Brushless	Without Bypass Valve	With Bypass Valve				SAE	NPT & BSPP	L
MA-12	13.82 (351)	11.97 (304)	6.36 (162)	6.06 (154)	10.98 (279)	11.86 (301)	5.71 (145)	4.06 (103)	1.00 (25)	#16 SAE	3/4"	4.88 (124)
MA-18	15.84 (402)	14.14 (359)	5.12 (130)	6.2 (157)	12.06 (309)	13.4 (341)	5.87 (149)	4.99 (127)	1.00 (25)	#12 SAE	3/4"	5.91 (150)
MA-32	19.69 (500)	18.46 (469)	6.15 (156)	6.28 (160)	17.30 (439)	17.9 (454)	12.00 (305)	3.84 (98)	1.10 (28)	#16 SAE	1"	8.07 (206)

Note: We reserve the right to make reasonable design changes without notice. All dimensions are in inches (millimeters) unless noted otherwise.

MA Models - DC Fan Assemblies



Model	DC Amp Draw		Approx. Shipping Weight LBS (KG)
	12V	24V	
MA-3	5.7	3.6	6 (2.72)
MA-3.5	12.5	6.3	9 (4.08)
MA-4	12.5	6.3	16 (7.26)
MA-12	12.5	6.3	19 (8.62)
MA-18	10.6	5.3	23 (10.43)
MA-32	22.2	11.1	28 (12.70)
MA-48	22.2	11.1	45 (20.40)
MA-232	19.3"	9.7"	65 (29.48)
MA-248	19.3"	9.7"	90 (40.80)

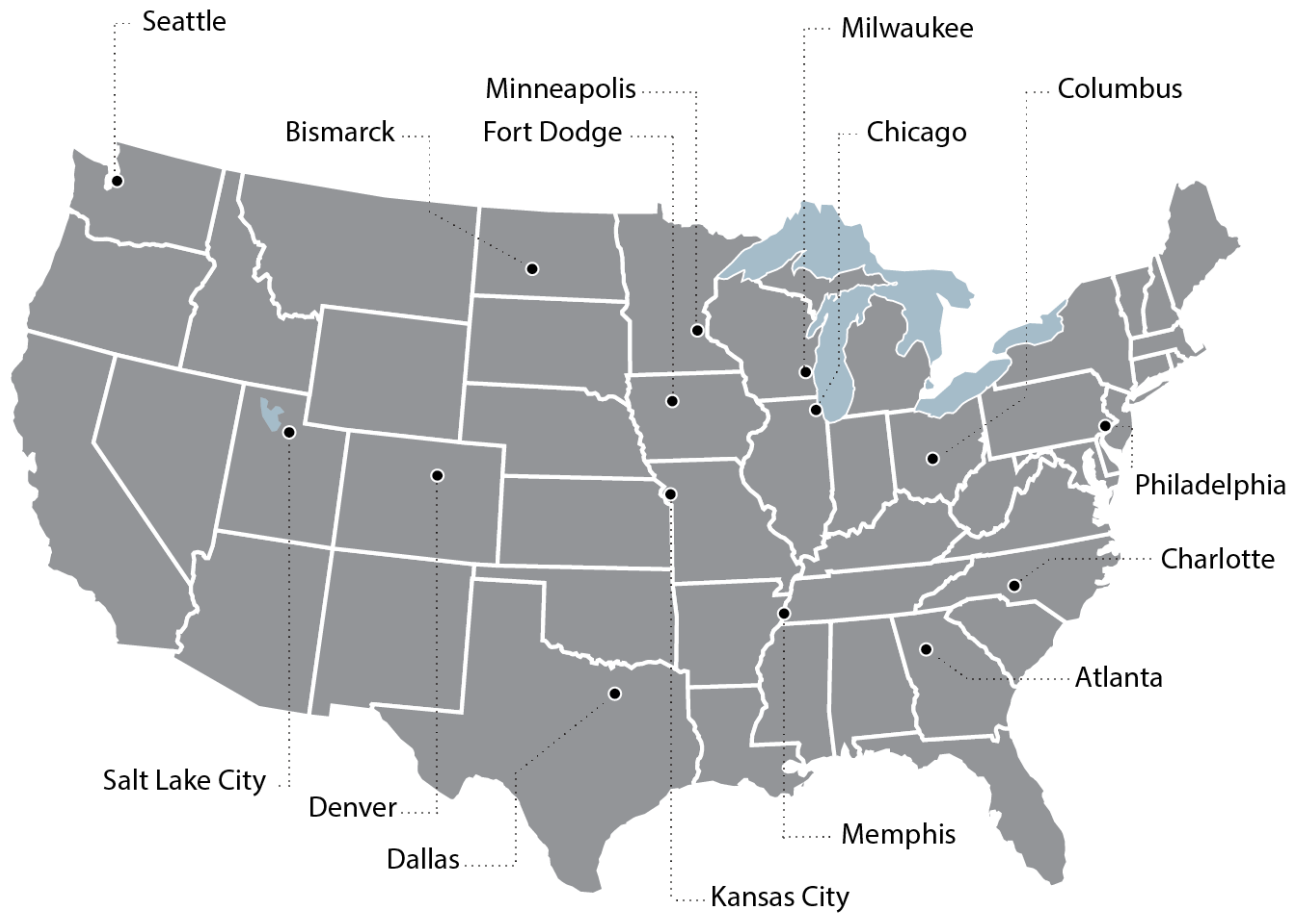
*AMP draw listed as per FAN.

ULTRA KOOL



The High Performance, Compact Cooling System

Contact Us



Atlanta, Georgia	888-293-2325	Kansas City, Missouri	800-383-4724
Bismarck, North Dakota	800-624-7568	Memphis, Tennessee	888-845-5876
Charlotte, North Carolina	800-788-8598	Milwaukee, Wisconsin	800-722-5844
Chicago, Illinois	800-433-5765	Minneapolis, Minnesota	800-328-2732
Columbus, Ohio	888-449-0356	Philadelphia, Pennsylvania	800-492-6621
Dallas, Texas	800-893-7225	Salt Lake City, Utah	877-230-0505
Denver, Colorado	888-833-7711	Seattle, Washington	800-354-9028
Fort Dodge, Iowa	800-362-2994		