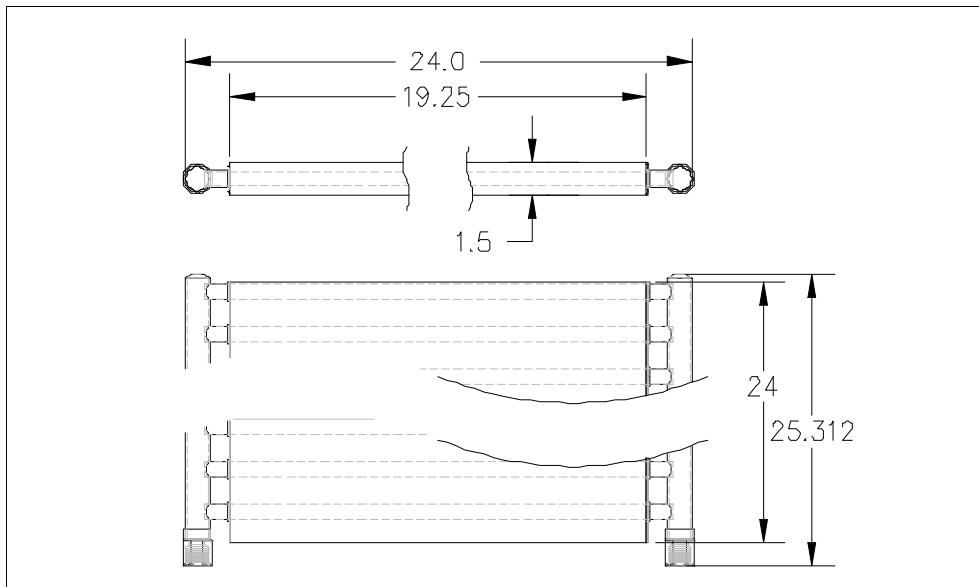
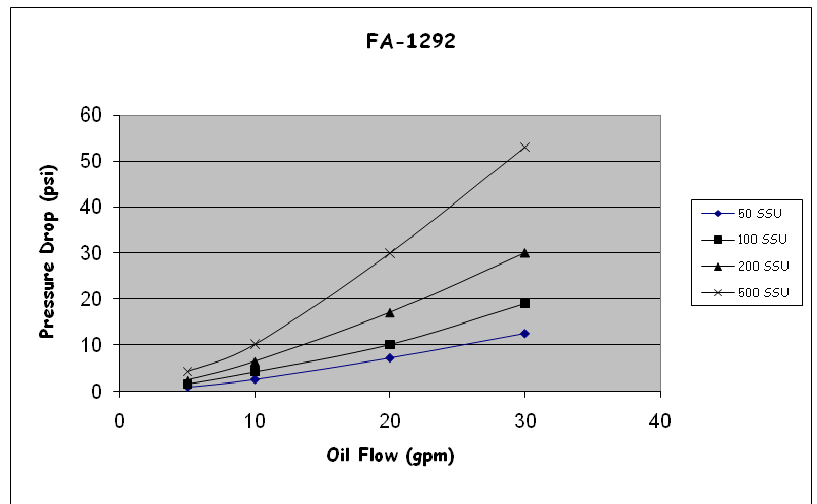
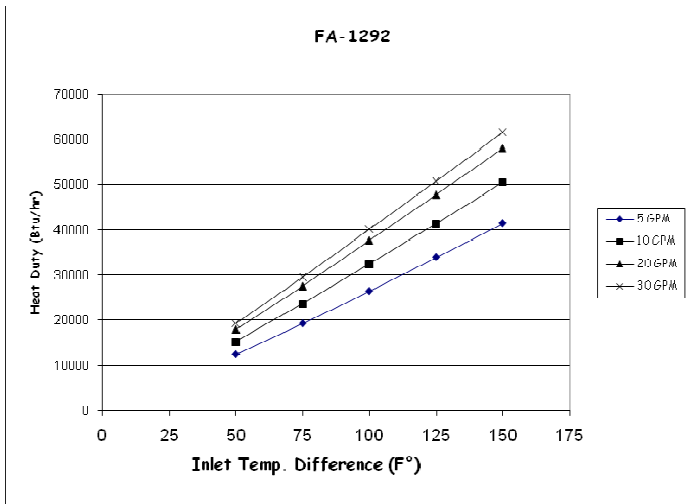


F E A T U R E S

FORCE America Coolers feature a unique Inner-Fin Turbulator. The Inner-Fin forces the fluid being cooled to flow over and through aluminum "fingers", which provide turbulence to the fluid. This substantially increases heat transfer while minimizing pressure drop through the cooler. Applications include: hydraulic fluid, hydrostatic fluid, gear box oil, engine oil, and diesel fuel.

- **Flow Range**
- 5-30 GPM
- **Heat Rejection Range**
- 39,000-56,500 BTU/Hr
- **Fitting Size**
- #16 SAE
- **Unit Capacity**
- 0.69 gallons
- **Material**
 - Copper Tube.....CDA122
 - Inner Tube.....AI-3003
 - Inner Fin.....AI-1100
 - Outer Fin.....AI-1100
 - Fitting.....Copper
- **Cooler Weight**
 - Empty.....14.7 lbs
 - Filled with oil.....19 lbs





Optional Electric Fan:

- DBEF-4012-12 12" 12 Volt Fan Includes DB-528 Mt. Kit
- DBEF-4012-24 12" 24 Volt Fan Includes DB-528 Mt. Kit

Adapters:

- 6405-16-12=-16 Male ORB TO -12 Female NPTF (straight)
- 6400-16-16=-16 Male 37° TO -16 Male ORB (straight SAE 070120)
- 6900-16-12=-16 Male ORB TO -12 Female NPTF (straight swivel SAE 140157)
- 6801-16-16=-16 Male 37° TO -16 Male ORB (90° SAE 070220)

1 - 888 - 99 - FORCE

501 East Cliff Road Burnsville, Minnesota 55337 www.forceamerica.com

Service Centers and Sales

Bismarck, ND	800-624-7568	Denver, CO	888-833-7711	Minneapolis, MN	800-328-2732
Charlotte, NC	800-788-8598	Fort Dodge, IA	800-362-2994	Philadelphia, PA	800-492-6621
Chicago, IL	800-433-5765	Kansas City, MO	800-383-4724	Salt Lake City, UT	877-230-0505
Columbus, OH	888-449-0356	Memphis, TN	888-845-5876		
Dallas, TX	800-893-7225	Milwaukee, WI	800-722-5844		