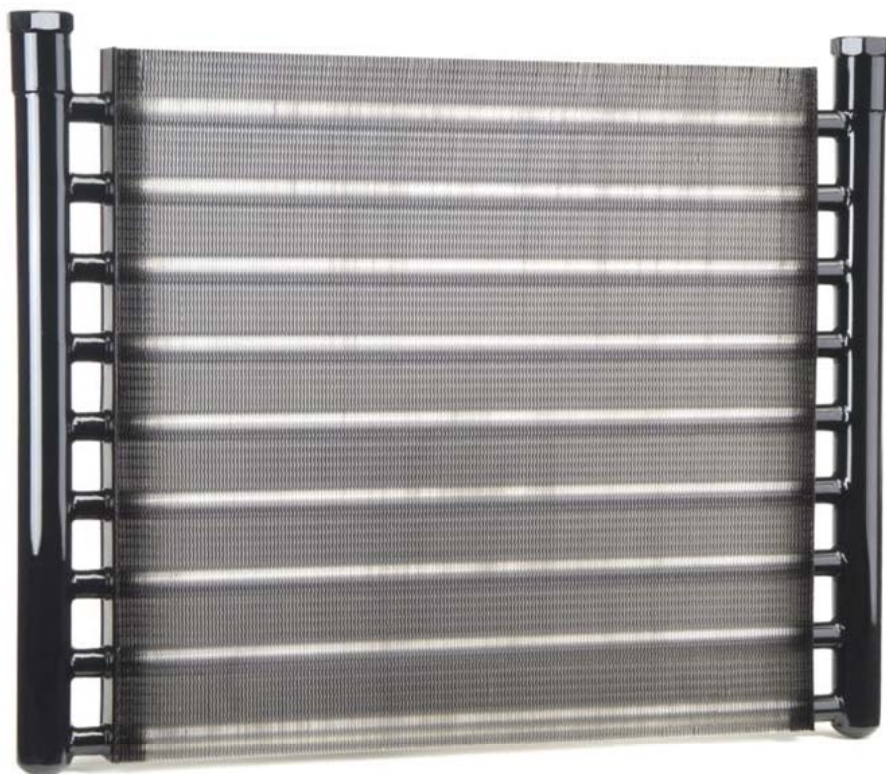
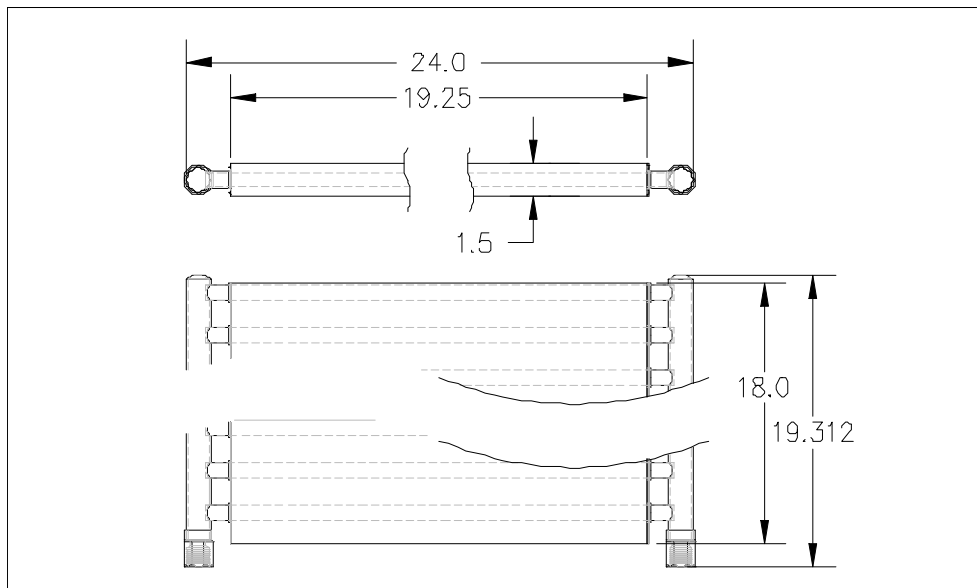
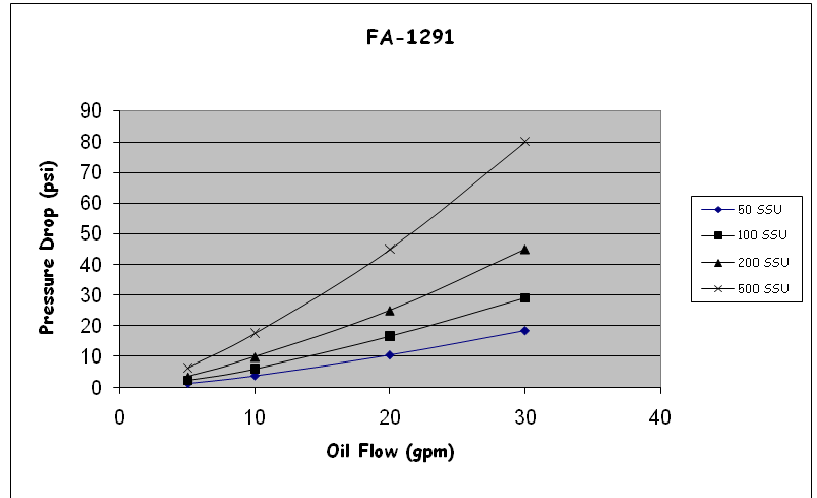
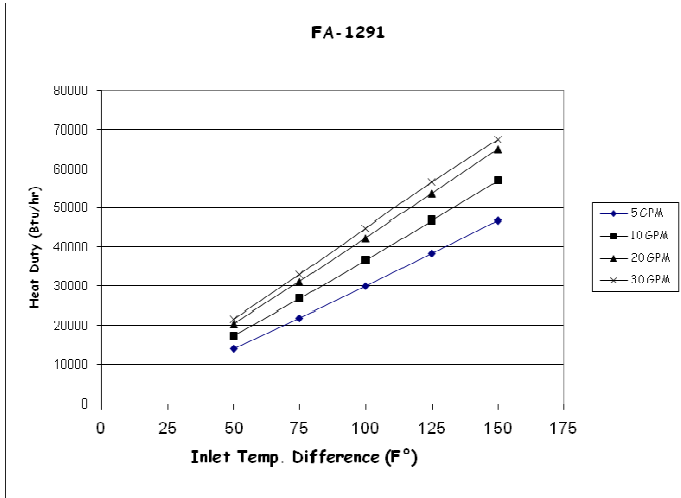


F E A T U R E S

FORCE America Coolers feature a unique Inner-Fin Turbulator. The Inner-Fin forces the fluid being cooled to flow over and through aluminum “fingers”, which provide turbulence to the fluid. This substantially increases heat transfer while minimalizing pressure drop through the cooler. Applications include: hydraulic fluid, hydrostatic fluid, gear box oil, engine oil, and diesel fuel.

- **Flow Range**  
- 5-30 GPM
- **Heat Rejection Range**  
- 31,000 – 45,000 BTU/Hr
- **Fitting Size**  
- #16 SAE
- **Unit Capacity**  
- 0.52 gallons
- **Material:**
  - Copper Tube.....CDA122
  - Inner Tube.....AI-3003
  - Inner Fin.....AI-1100
  - Outer Fin.....AI-1100
  - Fitting.....Copper
- **Cooler Weight**
  - Empty.....11.2 lbs
  - Filled with oil.....14.4 lbs





**Optional Electric Fan:**

DBEF-4016-12 16" 12 Volt Fan Includes DB-528 Mt. Kit

DBEF-4016-24 16" 24 Volt Fan Includes DB-528 Mt. Kit

**Adapters:**

6405-16-12=-16 Male ORB TO -12 Female NPTF (straight)

6400-16-16=-16 Male 37° TO -16 Male ORB (straight SAE 070120)

6900-16-12=-16 Male ORB TO -12 Female NPTF (straight swivel SAE 140157)

6801-16-16=-16 Male 37° TO -16 Male ORB (90° SAE 070220)

**1 - 888 - 99 - FORCE**

501 East Cliff Road

Burnsville, Minnesota 55337

[www.forceamerica.com](http://www.forceamerica.com)

**Service Centers and Sales**

Bismarck, ND 800-624-7568  
 Charlotte, NC 800-788-8598  
 Chicago, IL 800-433-5765  
 Columbus, OH 888-449-0356  
 Dallas, TX 800-893-7225

Denver, CO 888-833-7711  
 Fort Dodge, IA 800-362-2994  
 Kansas City, MO 800-383-4724  
 Memphis, TN 888-845-5876  
 Milwaukee, WI 800-722-5844

Minneapolis, MN 800-328-2732  
 Philadelphia, PA 800-492-6621  
 Salt Lake City, UT 877-230-0505