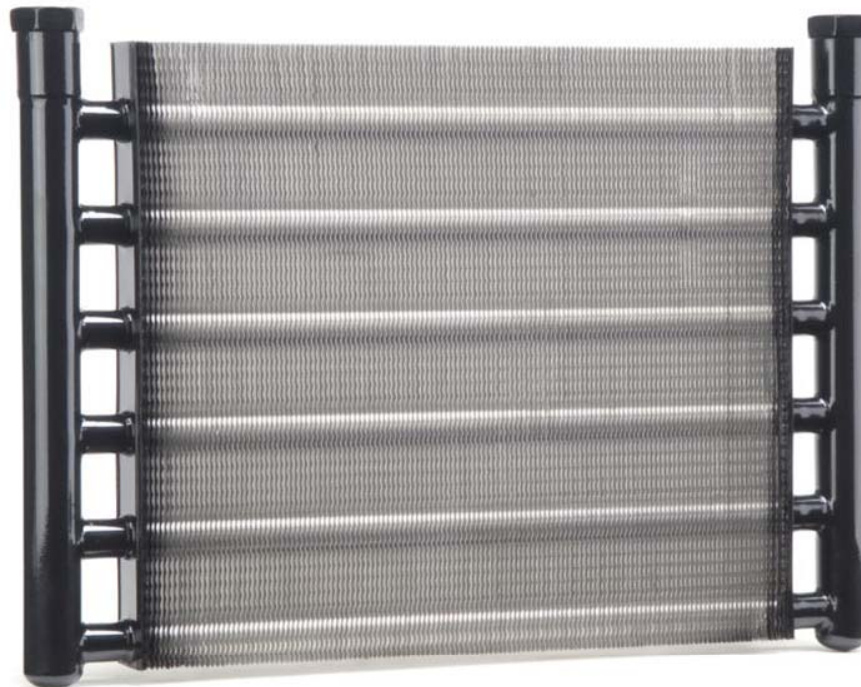
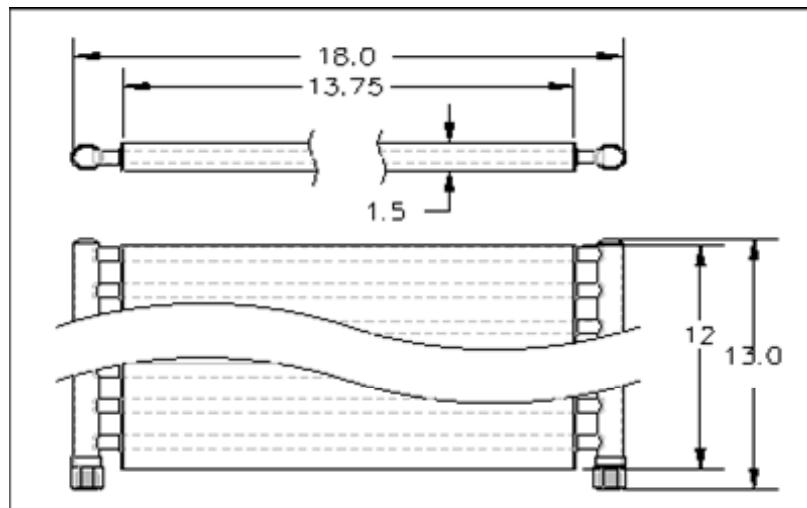
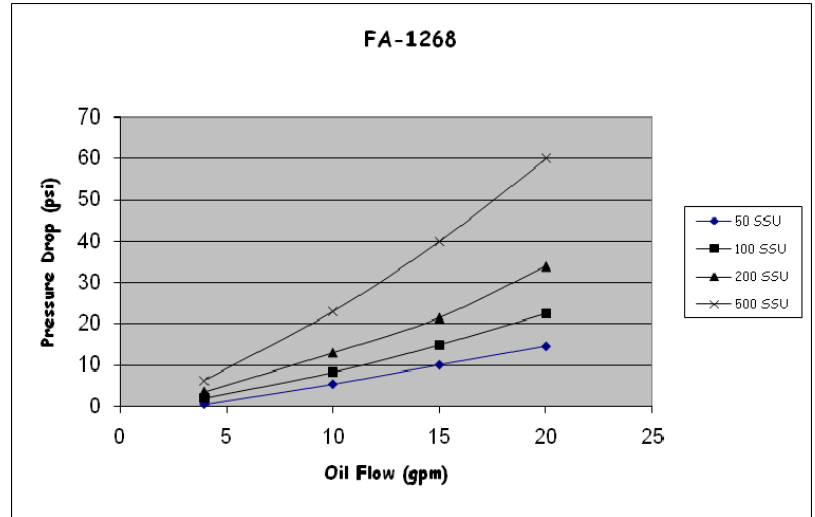
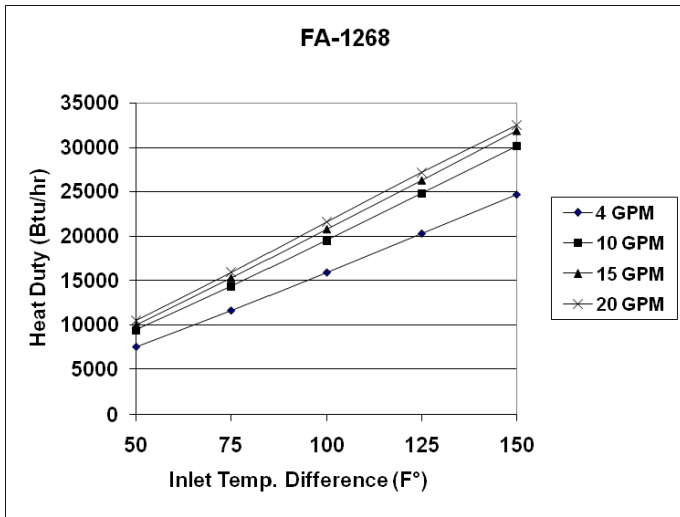


F E A T U R E S

FORCE America Coolers feature a unique Inner-Fin Turbulator. The Inner-Fin forces the fluid being cooled to flow over and through aluminum “fingers”, which provide turbulence to the fluid. This substantially increases heat transfer while minimalizing pressure drop through the cooler. Applications include: hydraulic fluid, hydrostatic fluid, gear box oil, engine oil, and diesel fuel.

- **Flow Range**
 - 4-20 GPM
- **Heat Rejection Range**
 - 16,500 – 21,500
- **Fitting Size**
 - #12 SAE
- **Unit Capacity**
 - 0.25 gallons
- **Material:**
 - Copper Tube.....CDA122
 - Inner Tube.....Al-3003
 - Inner Fin.....Al-1100
 - Outer Fin.....Al-1100
 - Fitting.....Copper/Brass
- **Cooler Weight**
 - Empty.....5.75 lbs
 - Filled with oil.....7.2 lbs





Optional Electric Fan:

DBEF-4012-12 12" 12 Volt Fan Includes DB-528 Mt. Kit

DBEF-4012-24 12" 24 Volt Fan Includes DB-528 Mt. Kit

Adapters:

6405-12-12=-12 Male ORB TO -12 Female NPTF (straight)

6400-12-12=-12 Male 37° TO -12 Male ORB (straight SAE 070120)

6900-12-12=-12 Male ORB TO -12 Female NPTF (straight swivel SAE 140157)

6801-12-12=-12 Male 37° TO -12 Male ORB (90° SAE 070220)

1 - 888 - 99 - FORCE

501 East Cliff Road

Burnsville, Minnesota 55337

www.forceamerica.com

Service Centers and Sales

Bismarck, ND 800-624-7568
 Charlotte, NC 800-788-8598
 Chicago, IL 800-433-5765
 Columbus, OH 888-449-0356
 Dallas, TX 800-893-7225

Denver, CO 888-833-7711
 Fort Dodge, IA 800-362-2994
 Kansas City, MO 800-383-4724
 Memphis, TN 888-845-5876
 Milwaukee, WI 800-722-5844

Minneapolis, MN 800-328-2732
 Philadelphia, PA 800-492-6621
 Salt Lake City, UT 877-230-0505