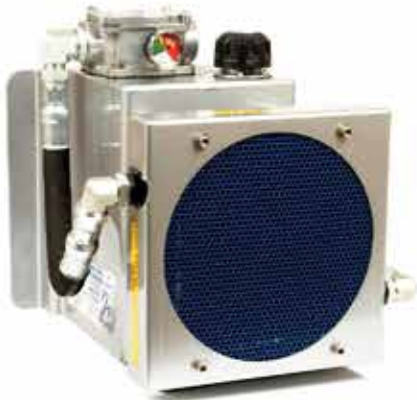


F E A T U R E S

Hydra - Kool is an all aluminum, lightweight, compact Cooler - Filter - Reservoir system. The ideal solution for mobile hydraulic applications where weight reduction is vital to reducing fuel consumption.

The Hydra-Kool includes the following items:

- Oil cooler with hydraulic or electric driven fan
- High flow integral 10 micron filter
- 4 or 8 gallon reservoir capacity
- Sight-temperature gauge
- (2) 1-1/4" suction strainers w/by-pass
- 10 micron filler-breather
- Filter element condition indicator
- 1" I.D. line size
- Half the dry weight of any other brand!



HK4-20, 4 Gallon Reservoir

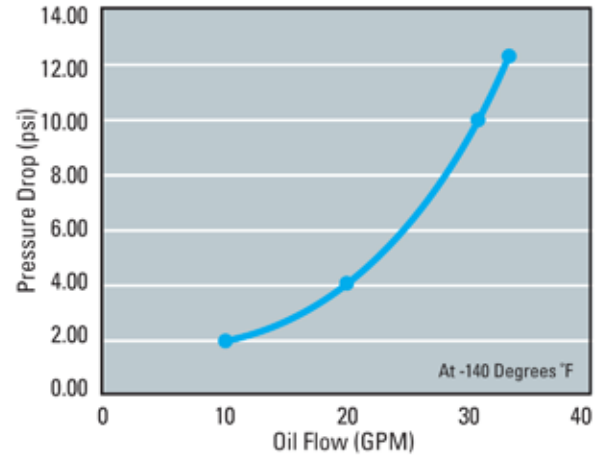
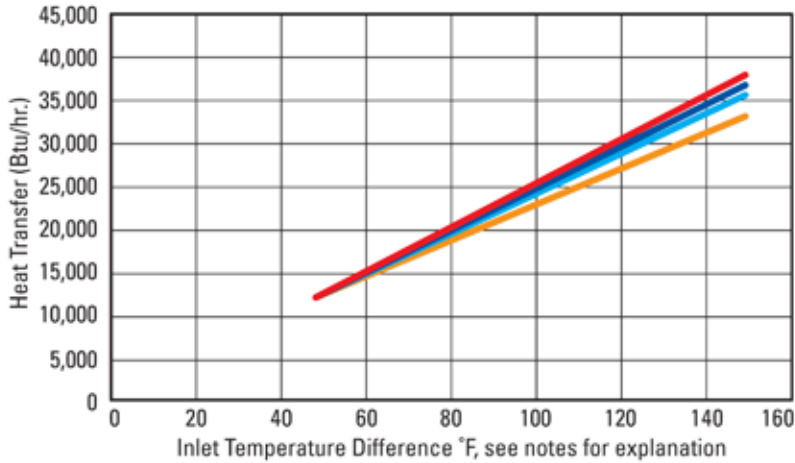


HK8-40, 8 Gallon Reservoir

PERFORMANCE CURVES

The **Inlet Temperature Difference** is the difference between the inlet oil temperature and the inlet air temperature in °F. The Smaller this difference is, the less ability the heat exchanger has to cool the oil.

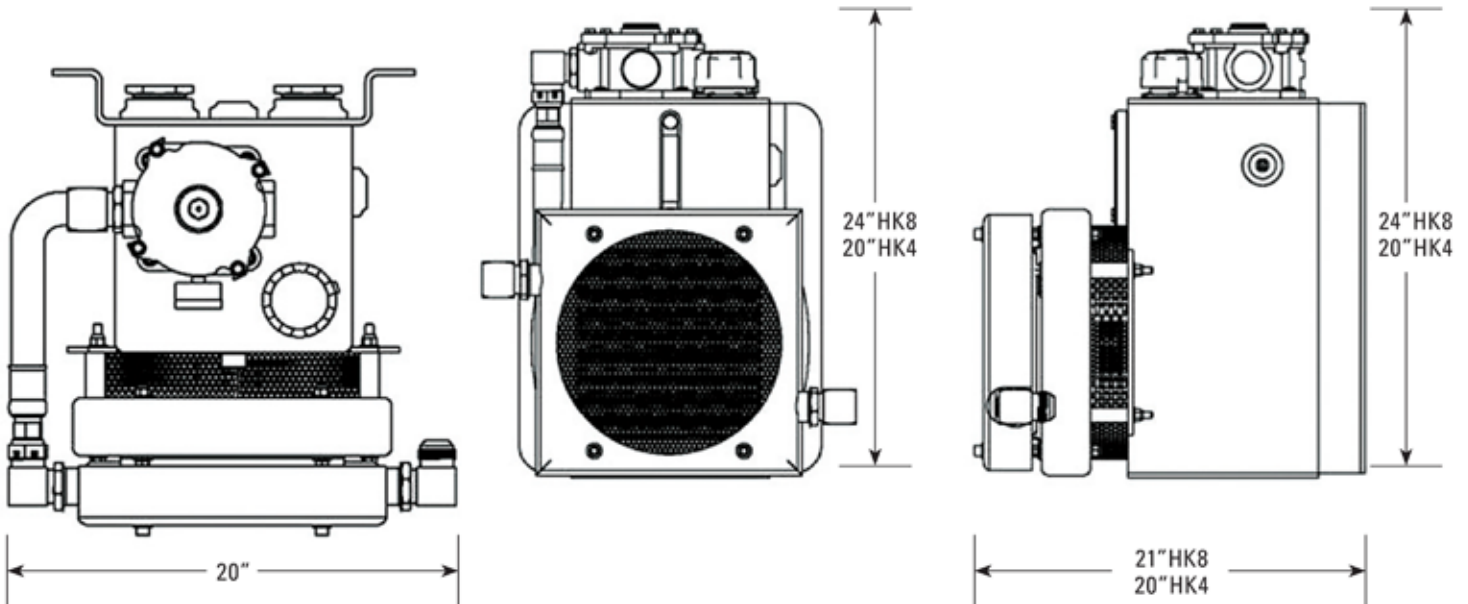
— 10 gpm
— 20 gpm
— 30 gpm
— 40 gpm



PACKAGE DIMENSIONS

Model Numbers

HK4-20 4 Gallon Reservoir 12VDC Fa
HK8-40 8 Gallon Reservoir Hydraulic Fan Motor



1 - 888 - 99 - FORCE

Service Centers and Sales

501 East Cliff Road		Burnsville, Minnesota 55337		www.forceamerica.com	
Bismarck, ND	800-624-7568	Denver, CO	888-833-7711	Minneapolis, MN	800-328-2732
Charlotte, NC	800-788-8598	Fort Dodge, IA	800-362-2994	Philadelphia, PA	800-492-6621
Chicago, IL	800-433-5765	Kansas City, MO	800-383-4724	Salt Lake City, UT	877-230-0505
Columbus, OH	888-449-0356	Memphis, TN	888-845-5876		
Dallas, TX	800-893-7225	Milwaukee, WI	800-722-5844		