

**F E A T U R E S**

TXV Series pumps are ultra compact, lightweight, high performance pumps designed specifically for mobile applications where weight and size are critical. The TXV series of pumps solve the problem of fitting high performance variable volume piston pumps in confined spaces. At only 57 lbs, flow to 55 gpm, and pressure to 5800 psi, makes these pumps ideal for successful applications in many hydraulic systems.

- **Extremely Compact**
  - Fits PTO's on most truck transmissions including Allison Automatic MD-HD Series.
- **Continuous pressures to 4800 PSI**
  - Matches perfectly with high performance truck cranes and winches
- **Low Noise**
  - Now a requirement for today's modern mobile machines
- **11 Piston design**
  - Reduces flow ripples for smoother performance
- **High response compensator**
  - Immediate pump response with input signal
- **Dual seal with external vent standard**
  - Able to be applied on both "wet and dry spline" style PTO's
- **7 Pump controllers available**
  - Adaptable to the most demanding applications
- **Application Flexibility**
  - Wide variety of options for mounting, shafts, porting, and end displacements.

**Displacements** – 2.44 to 7.32 cu. In.

**Continuous Pressure** – 4800 psi

**Maximum Intermittent Pressure** – 5800 psi

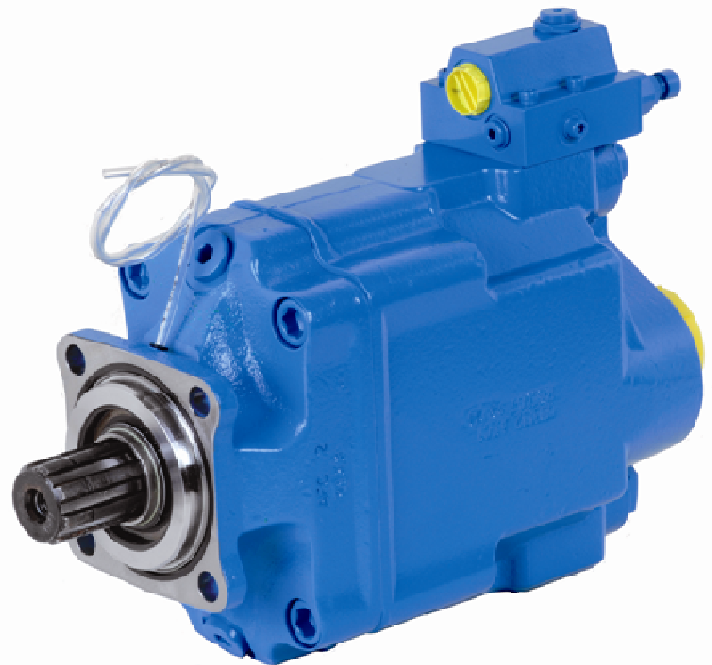
**Temperature Range** – 32° - 176° F

**Filtration Requirements** – ISO 4406 18/13

**Seals** – Buna-N

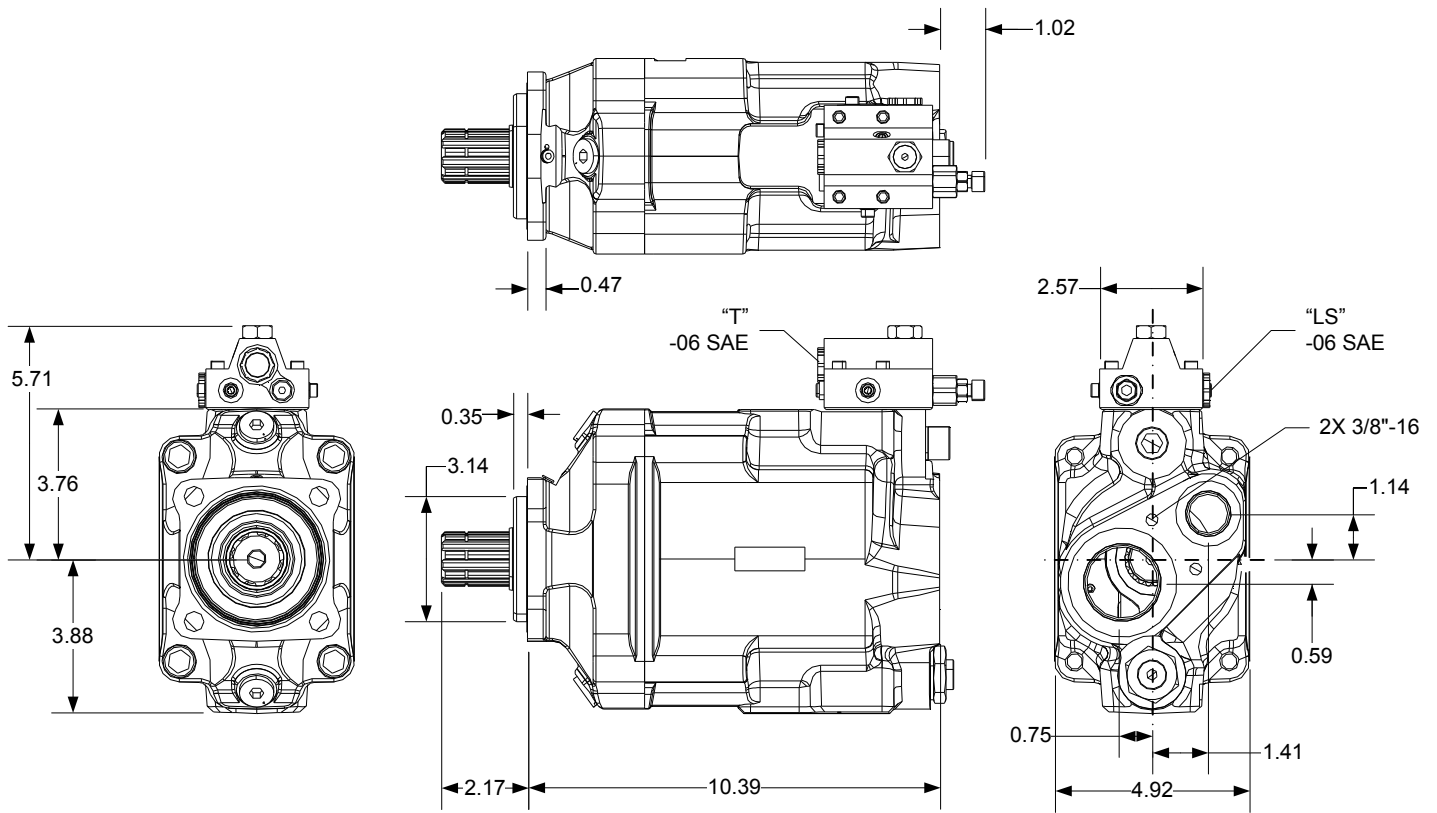
**Mounting Sensitivity** – None

**Weight (LS Controller)** – 57 lbs.



# TXV Series Pumps

# Variable Displacement Piston Pump



Model	Displacement	Rotation	Shaft	Flange	Porting	Control Option	Volume Stop Option																																											
TXV																																																		
		<table border="1"> <thead> <tr> <th>CODE</th> <th>Rotation</th> </tr> </thead> <tbody> <tr> <td>R</td> <td>Right Hand</td> </tr> <tr> <td>L</td> <td>Left Hand</td> </tr> </tbody> </table>	CODE	Rotation	R	Right Hand	L	Left Hand		<table border="1"> <thead> <tr> <th>CODE</th> <th>Flange</th> </tr> </thead> <tbody> <tr> <td>F</td> <td>SAE "C" - 2 Bolt</td> </tr> <tr> <td>N</td> <td>SAE "B" - 2 Bolt</td> </tr> <tr> <td>S</td> <td>DIN 5462-4 Bolt</td> </tr> </tbody> </table>	CODE	Flange	F	SAE "C" - 2 Bolt	N	SAE "B" - 2 Bolt	S	DIN 5462-4 Bolt		<table border="1"> <thead> <tr> <th>CODE</th> <th>Volume Stop Option</th> </tr> </thead> <tbody> <tr> <td>omit</td> <td>None</td> </tr> <tr> <td>2</td> <td>Maximum Volume</td> </tr> </tbody> </table>	CODE	Volume Stop Option	omit	None	2	Maximum Volume																								
CODE	Rotation																																																	
R	Right Hand																																																	
L	Left Hand																																																	
CODE	Flange																																																	
F	SAE "C" - 2 Bolt																																																	
N	SAE "B" - 2 Bolt																																																	
S	DIN 5462-4 Bolt																																																	
CODE	Volume Stop Option																																																	
omit	None																																																	
2	Maximum Volume																																																	
	<table border="1"> <thead> <tr> <th>CODE</th> <th>Displacement</th> </tr> </thead> <tbody> <tr> <td>040</td> <td>2.44 cu. in.</td> </tr> <tr> <td>060</td> <td>3.66 cu. in.</td> </tr> <tr> <td>075</td> <td>4.57 cu. in.</td> </tr> <tr> <td>092</td> <td>5.61 cu. in.</td> </tr> <tr> <td>120</td> <td>7.32 cu. in.</td> </tr> </tbody> </table>	CODE	Displacement	040	2.44 cu. in.	060	3.66 cu. in.	075	4.57 cu. in.	092	5.61 cu. in.	120	7.32 cu. in.	<table border="1"> <thead> <tr> <th>CODE</th> <th>Shaft</th> </tr> </thead> <tbody> <tr> <td>1</td> <td>SAE "C" 1-1/4" x 14 Tooth Spline</td> </tr> <tr> <td>2</td> <td>SAE "BB" 1" x 1/4" Keyed</td> </tr> <tr> <td>3</td> <td>SAE "C" 1-1/4" x 5/16" Keyed</td> </tr> <tr> <td>4</td> <td>SAE "BB" 1" x 15 Tooth Spline</td> </tr> <tr> <td>9</td> <td>DIN 14 - 8 x 32 x 35 Spline</td> </tr> </tbody> </table>	CODE	Shaft	1	SAE "C" 1-1/4" x 14 Tooth Spline	2	SAE "BB" 1" x 1/4" Keyed	3	SAE "C" 1-1/4" x 5/16" Keyed	4	SAE "BB" 1" x 15 Tooth Spline	9	DIN 14 - 8 x 32 x 35 Spline	<table border="1"> <thead> <tr> <th>CODE</th> <th>Porting</th> </tr> </thead> <tbody> <tr> <td>1</td> <td>Rear SAE 24 x SAE 12</td> </tr> <tr> <td>7</td> <td>Rear BSPP G1-1/2 x G3/4</td> </tr> </tbody> </table>	CODE	Porting	1	Rear SAE 24 x SAE 12	7	Rear BSPP G1-1/2 x G3/4	<table border="1"> <thead> <tr> <th>CODE</th> <th>Control Options</th> </tr> </thead> <tbody> <tr> <td>PC</td> <td>Pressure Compensated</td> </tr> <tr> <td>PCDM</td> <td>Pressure Compensated w/ Minimum Volume Stop</td> </tr> <tr> <td>2PC</td> <td>Pressure Compensated, Dual Pressure</td> </tr> <tr> <td>PCD</td> <td>Pressure Compensated, Remote</td> </tr> <tr> <td>LS</td> <td>Load Sensing</td> </tr> <tr> <td>LSD</td> <td>Load Sensing, Remote</td> </tr> <tr> <td>HP</td> <td>Horse Power Limiting</td> </tr> </tbody> </table>	CODE	Control Options	PC	Pressure Compensated	PCDM	Pressure Compensated w/ Minimum Volume Stop	2PC	Pressure Compensated, Dual Pressure	PCD	Pressure Compensated, Remote	LS	Load Sensing	LSD	Load Sensing, Remote	HP	Horse Power Limiting
CODE	Displacement																																																	
040	2.44 cu. in.																																																	
060	3.66 cu. in.																																																	
075	4.57 cu. in.																																																	
092	5.61 cu. in.																																																	
120	7.32 cu. in.																																																	
CODE	Shaft																																																	
1	SAE "C" 1-1/4" x 14 Tooth Spline																																																	
2	SAE "BB" 1" x 1/4" Keyed																																																	
3	SAE "C" 1-1/4" x 5/16" Keyed																																																	
4	SAE "BB" 1" x 15 Tooth Spline																																																	
9	DIN 14 - 8 x 32 x 35 Spline																																																	
CODE	Porting																																																	
1	Rear SAE 24 x SAE 12																																																	
7	Rear BSPP G1-1/2 x G3/4																																																	
CODE	Control Options																																																	
PC	Pressure Compensated																																																	
PCDM	Pressure Compensated w/ Minimum Volume Stop																																																	
2PC	Pressure Compensated, Dual Pressure																																																	
PCD	Pressure Compensated, Remote																																																	
LS	Load Sensing																																																	
LSD	Load Sensing, Remote																																																	
HP	Horse Power Limiting																																																	



501 East Cliff Road  
Burnsville, Minnesota 55337

1-888-99FORCE  
www.forceamerica.com

©2009 FORCE America, Inc.  
Part Number: FA509

## Service Centers and Sales

Bismarck, ND	800-624-7568	Fort Dodge, IA	800-362-2994
Charlotte, NC	800-788-8598	Kansas City, MO	800-383-4724
Chicago, IL	800-433-5765	Milwaukee, WI	800-722-5844
Columbus, OH	888-449-0356	Minneapolis, MN	800-328-2732
Dallas, TX	800-893-7225	Philadelphia, PA	800-492-6621
Denver, CO	888-833-7711	Salt Lake City, UT	877-230-0505