

Available Now

From: **FORCE**
America INC.

EATON

**420 Series
Mobile Piston Pump**

F E A T U R E S

Eaton 420 Series Pump

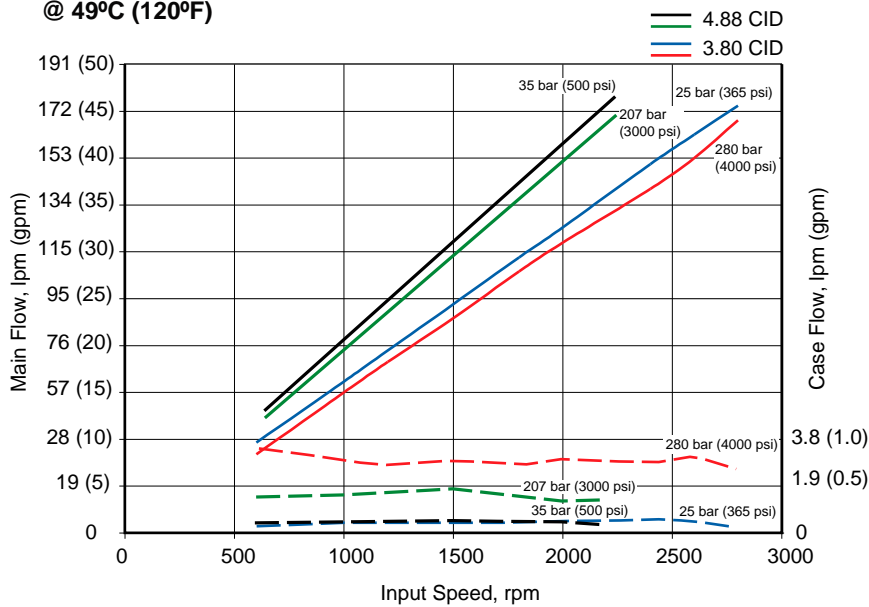
Variable volume load sense piston pumps are specifically designed for mobile truck applications.

- A strong proven rotating group allows the pump to handle pressures up to 4000 PSI continuous and 4600 PSI intermittent.
- 420 Series pumps are offered in two displacements, 3.80 CID capable of 42 GPM at 2600 RPM and 4.88 CID capable of 47 GPM at 2200 RPM.
- Side-or end-ported models are available to facilitate plumbing and help fit the pump to your machine space needs. Multiple drain ports allow many mounting orientations, reducing installed costs.
- 420 Series pumps operate at a level of quietness that exceeds the requirements of today's demanding work conditions.

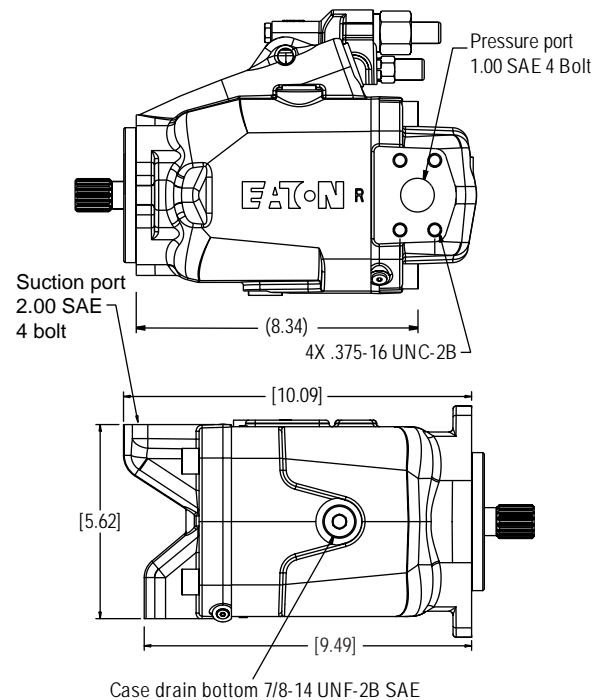


Delivery and Case Flow Versus Speed

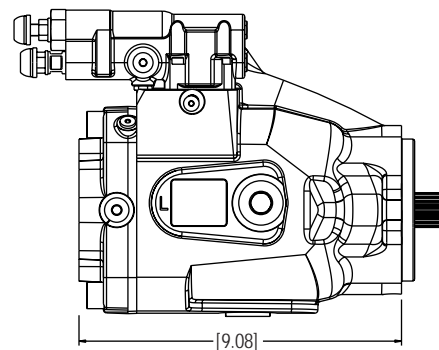
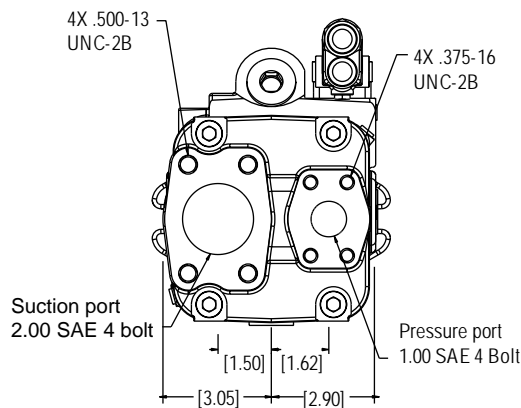
@ 49°C (120°F)



LH Rotation Side Flange Ports



RH Rotation Rear Flange Ports



Available Models

421AK02258C	3.8 CID, 2-BOLT B, 1"-15T SPL, CCW ROTATION, 2" x 1" SF SIDE PORTS
421AK02265C	3.8 CID, 2-BOLT B, 1"-15T SPL, CW ROTATION, 2" x 1" SF REAR PORTS
421AK-R	This kit includes 421AK002265C pump, fittings, and adapters needed
421AK02262C	4.88 CID, C-2/4 MOUNT, 1-1/4 KEYED, CCW ROTATION, 2" X 1" SF SIDE PORT
421AK-L	This kit includes 421AK002262C pump, fittings, and adapters needed

1-888-99-FORCE

501 East Cliff Road Burnsville, Minnesota 55337 www.forceamerica.com

Sales and Service Centers

© 2020 FORCE America, Inc.
FA925-1120-01

Bismarck, ND	800-624-7568	Denver, CO	888-833-7711	Minneapolis, MN	800-328-2732
Charlotte, NC	800-788-8598	Fort Dodge, IA	800-362-2994	Philadelphia, PA	800-492-6621
Chicago, IL	800-433-5765	Kansas City, MO	800-383-4724	Salt Lake City, UT	877-230-0505
Columbus, OH	888-449-0356	Memphis, TN	888-845-5876		
Dallas, TX	800-893-7225	Milwaukee, WI	800-722-5844		

Atlanta, GA (Atlanta Powertrain™)	888-293-2325	atlantapowertrain.com
Seattle, WA (Mobile Equipment Systems™)	800-354-9028	mobileequip.com