

F E A T U R E S

Hydro-Tek power packs are compact cost effective solutions that provide a hydraulic source of power using AC and DC electric motors. The power packs are complete system solutions that include the hydraulic pump, valves, reservoir, electric motor and controls.

- Intermittent and standard duty motors
- Group pump sizes
- Valves are common cavity type
- Adjustable main relief
- "A" port (down size) adjustable relief
- Flow control on "B" port limits the rate of hoist descent
- Poly tanks one gallon and 1.38 gallon
- Wire leaf coils connect to optional pendant



Product Specifications

Intermittent Duty:

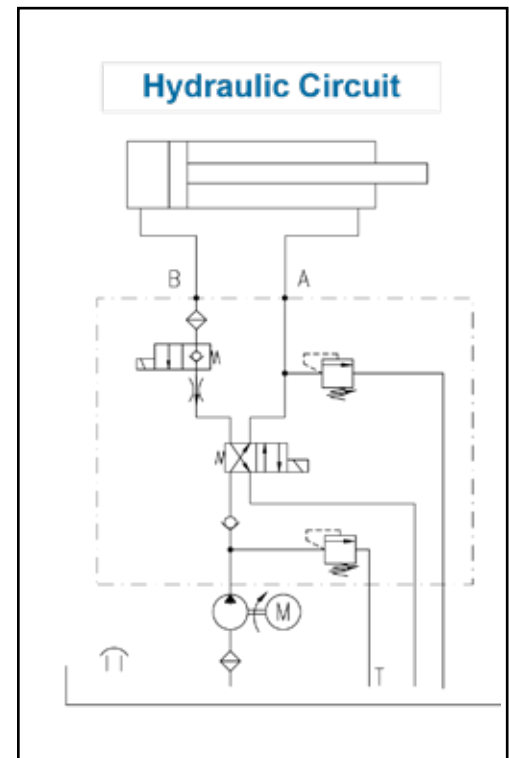
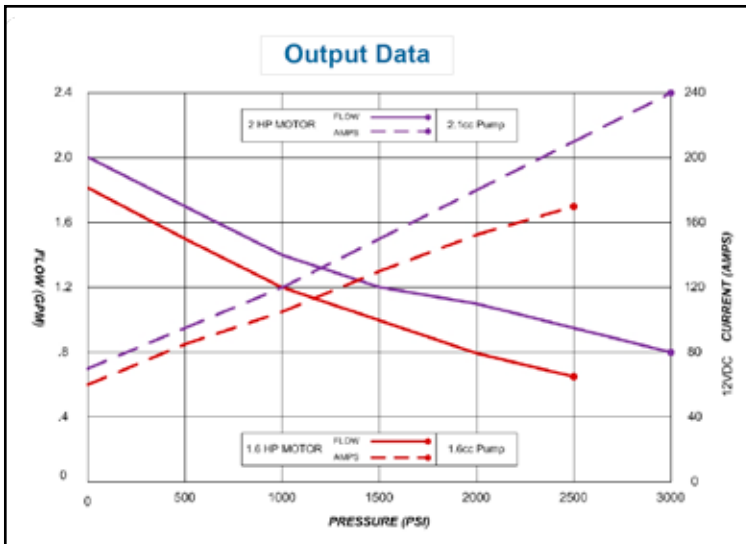
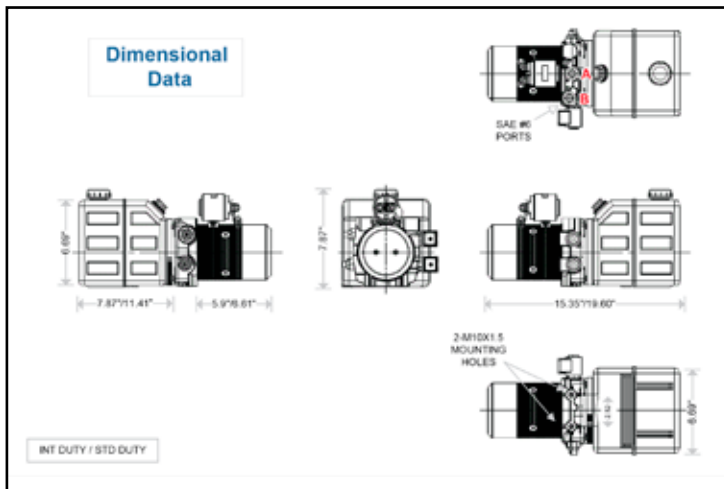
1.6 HP 12 VDC Motor/1.8 GPM Flow/2500 PSI Main relief/500 PSI "A" Port Relief/2 GPM Pressure Comp Flow Control on Down side/1 Gallon Poly Tank.

Item Number: 1068058
Model Codes: HID12HV006W12-P16P100H
1068057 HID12HV006Q12-P16P100H (with 20" Pendant)

Standard Duty:

2 HP 12 VDC Motor/2 GPM Flow/3000 PSI Main Relief/500 PSI "A" Port Relief/2 GPM Pressure Comp Flow Control on Down Side/01.38 Gallon Poly tank

Item Number: 1068062
Model Codes: HSD12HV006W12-P21P138H
1068061 HSD12HV006Q12-P21P138H (with 20" Pendant)



1-888-99-FORCE

501 East Cliff Road Burnsville, Minnesota 55337 www.forceamerica.com

Sales and Service Centers

Bismarck, ND	800-624-7568	Denver, CO	888-833-7711	Minneapolis, MN	800-328-2732
Charlotte, NC	800-788-8598	Fort Dodge, IA	800-362-2994	Philadelphia, PA	800-492-6621
Chicago, IL	800-433-5765	Kansas City, MO	800-383-4724	Salt Lake City, UT	877-230-0505
Columbus, OH	888-449-0356	Memphis, TN	888-845-5876		
Dallas, TX	800-893-7225	Milwaukee, WI	800-722-5844		

© 2020 FORCE America, Inc.
FA1071-0420-02

Atlanta, GA (Atlanta Powertrain™)	888-293-2325	atlantapowertrain.com
Seattle, WA (Mobile Equipment Systems™)	800-354-9028	mobileequip.com