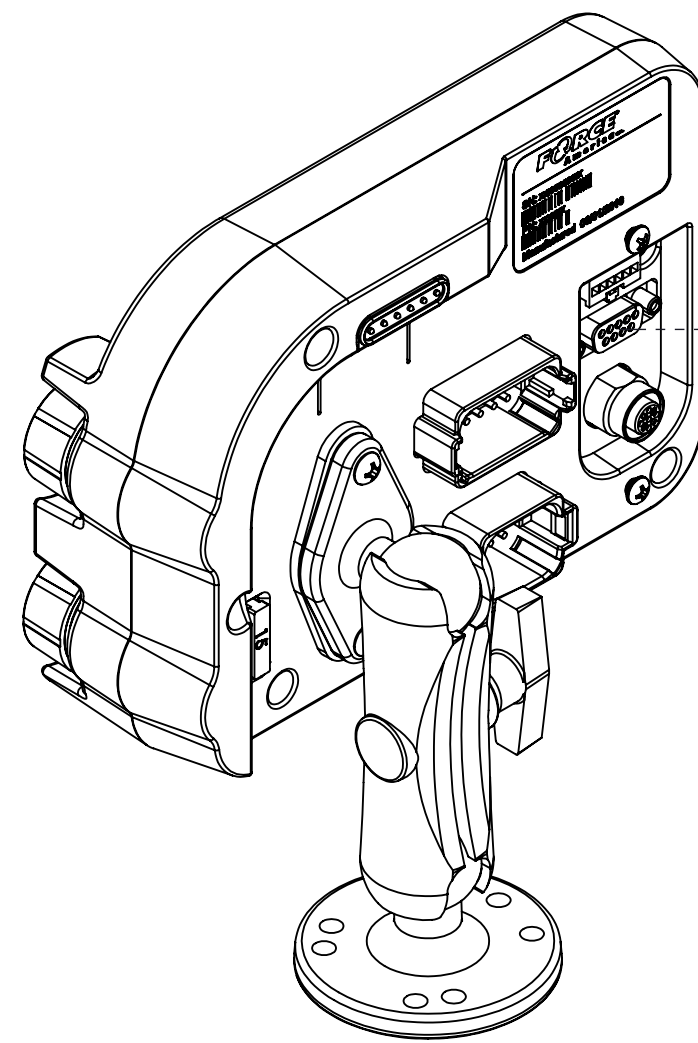
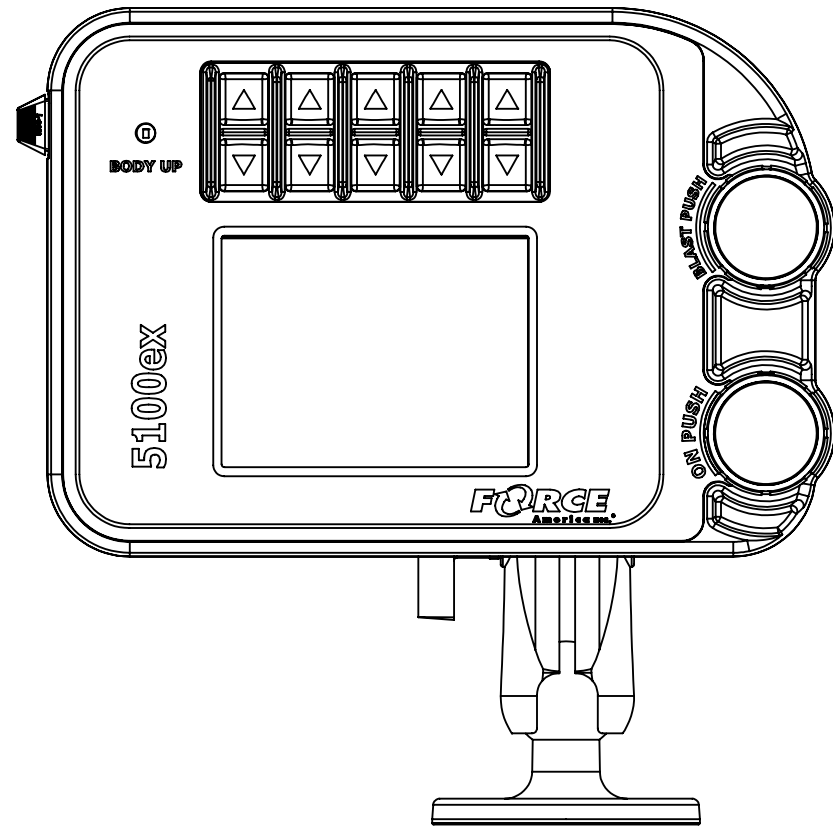


REVISIONS				
REV	ECO NUMBER	DESCRIPTION	DATE	BY
A		INITIAL RELEASE	9/10/2025	TMX

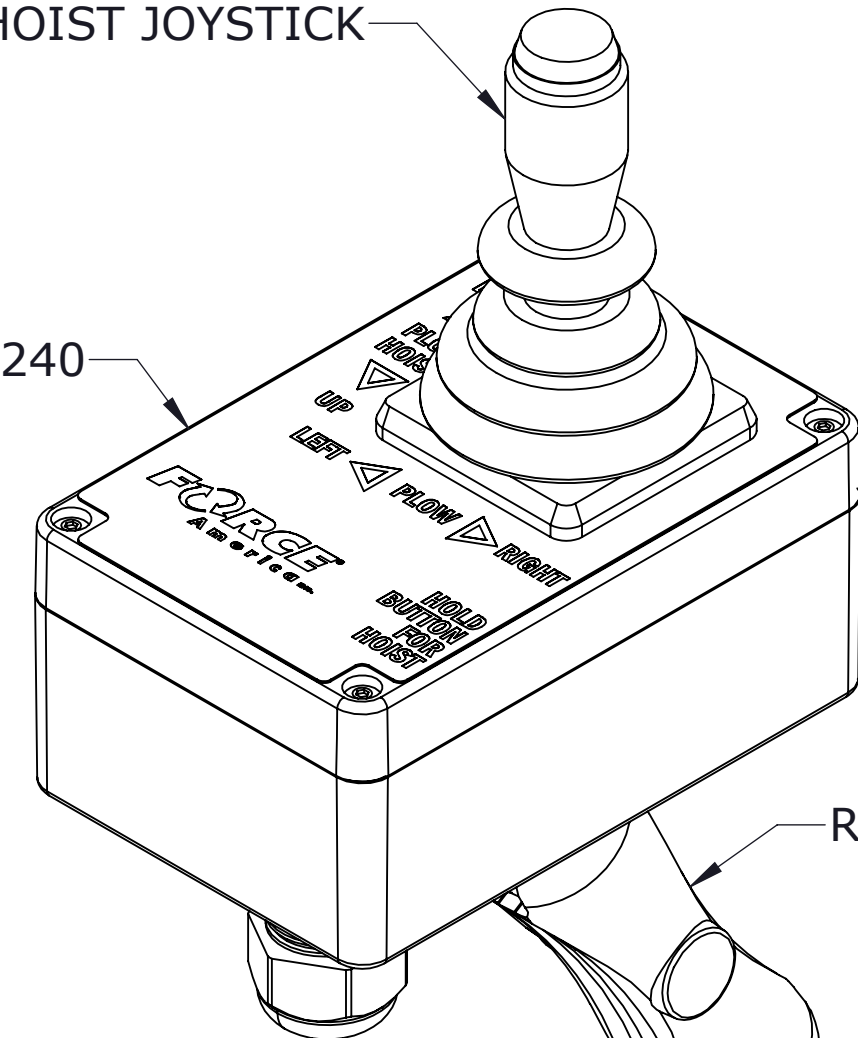
GEN 2 5100EX CONTROLLER
(NOT TO SCALE)



BACK VIEW

PLOW/HOIST JOYSTICK

1210240



RAM MOUNT ARM
(1017691)

RAM MOUNT BASE
(1017692)

**NOTE: RAM MOUNTING HARDWARE
NOT INCLUDED.**

- NOTES:
1. INSTRUCTIONS FOR ADDITIONAL COMPONENTS WILL BE PROVIDED SEPARATELY
 2. OPTIONAL SPLITTER HARNESS (NOT SHOWN) WILL BE USED WHEN AVL KIT IS REQUIRED

THIS DRAWING IS THE PROPRIETARY PROPERTY OF AND IS COPYRIGHTED BY FORCE AMERICA, INC. THE TRANSMISSION OF THIS INFORMATION PROVIDED AS A PART OF THIS DRAWING IS COVERED UNDER THE TERMS OF USE AS CAN BE FOUND AT WWW.FORCEAMERICA.COM/TERMS-OF-USE			
MATERIAL	FORCE America	DRAWN BY	TMX
TOLERANCE, INCHES UNLESS OTHERWISE SPECIFIED:		DATE	9/10/2025
DEC. XX	±.010	APPR'D BY	SJM
DEC. XXX	±.005	DATE	9/11/2025
ANGULAR, MACH	1°	TITLE	KIL 5150ex, 9F, w/ 5150-JS, DT (AUG, SPN, PRE, HOIST, PLOW)
THIRD ANGLE PROJECTION	SCALE	SIZE	DWG. NO.
	1:2	C	4588
	DO NOT SCALE DRAWING	REV	A
			SHEET 1 OF 1