

HYDROCONTROL VALVES

M45

The HC-M45 is a highly versatile monoblock valve that is compatible with a variety of spool circuits. By utilizing different combinations, this valve meets the requirements for an enormous number of applications.

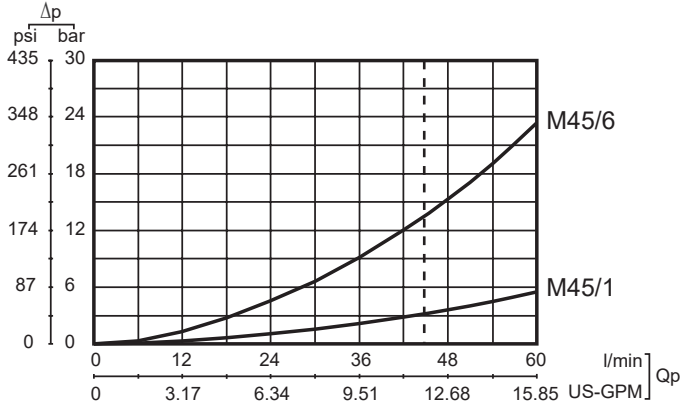


FEATURES

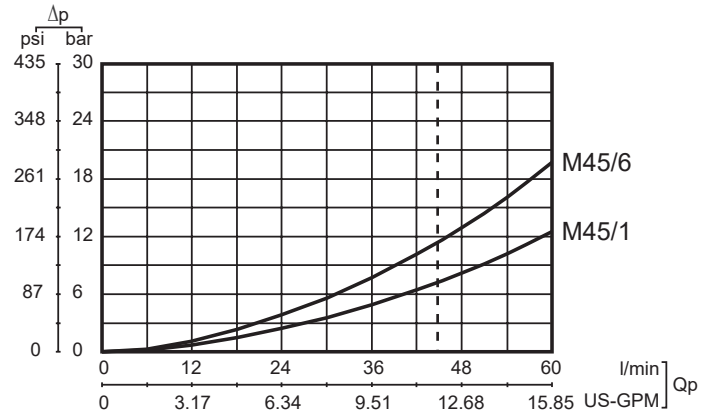
- ✓ The valve features a left-side inlet with the handle configuration facing the operator
- ✓ The inlet has a direct-acting relief valve
- ✓ Features a high pressure carry over (power beyond) which allows for feeding a second valve
- ✓ Valve handle has various mounting options, allowing for vertical and horizontal positioning from standard or inverted placement
- ✓ Allows for optional joystick control
- ✓ Spool actuations options include:
 - Lever-operated
 - Pneumatic/air operated
 - Hydraulic remote
 - Electrohydraulic on/off
 - Electrohydraulic proportion
- ✓ Spool return options include:
 - Spring-centered
 - Two-position detent
 - Three-position detent

TECHNICAL INFORMATION

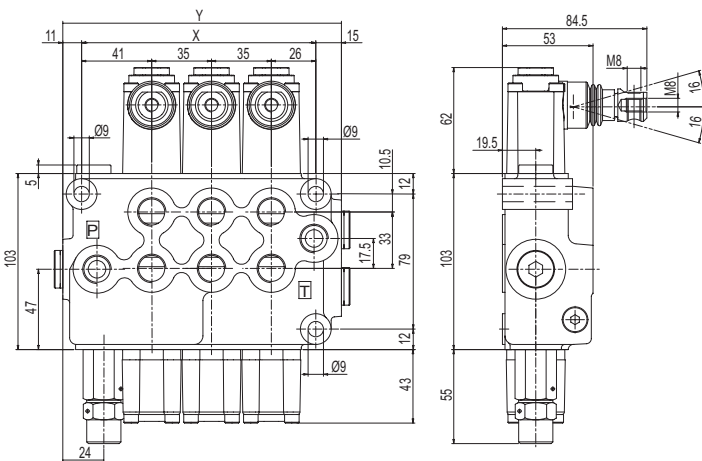
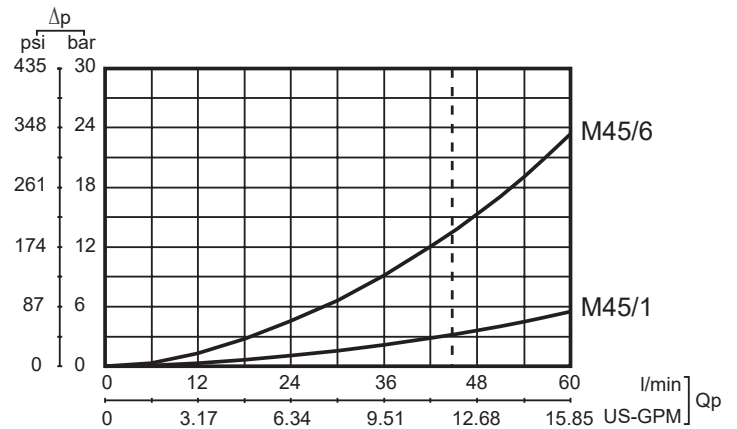
Pressure Drop (P - T)



Pressure Drop (P - A/B)



Pressure Drop (A/B - T)



Dimensions

Number of Sections	1	2	3	4	5	6
X (mm)	67	102	137	172	207	242
X (in)	2.64	4.02	5.4	6.68	8.16	9.54
Y (mm)	93	128	163	198	233	268
Y (in)	3.6	5.04	6.42	7.8	9.18	10.56

Standard Working Conditions

Flow Rate.....12 GPM
 Pressure Rate.....5,000 PSI
 Max Pressure ON (T).....290 PSI
 Operating Temperature.....Temp range: -25°C to +80°C
 Working Section Number.....1 - 6