

F E A T U R E S

The counterbalance valve cartridge is available in multiple ratios. Pressure adjustment from 1000 to 5000 PSI. Inlet pressure rating of aluminum body is 3000 PSI. The valve body is available with different port sizes and thread types.

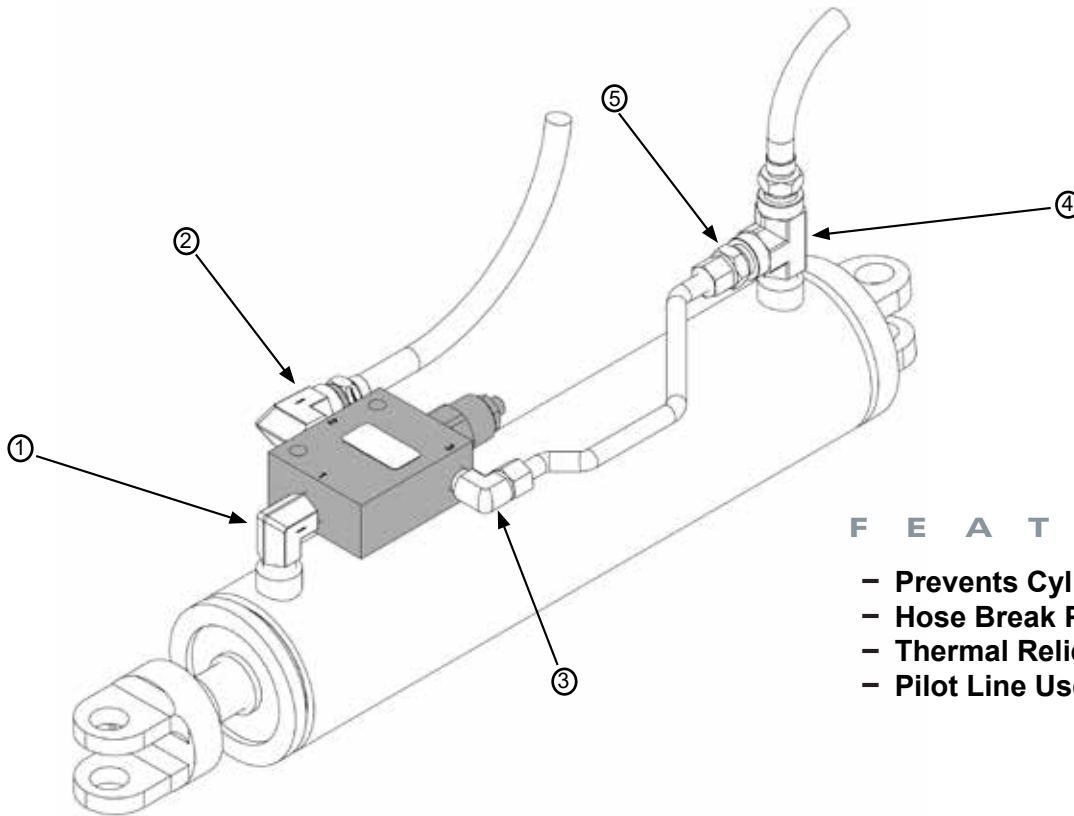
C11312 has NPT threads

C11314 has SAE threads

- **Load Holding**
 - Provides positive holding on cylinders
- **Motion Control**
 - Prevents a runaway load
- **Standard Size**
 - Body size is compatible with recognized industry standard
- **3 Pilot Ratios Available**
 - 2.5:1
 - 5:1
 - 10:1
- **Flow Up to 15 GPM**
 - Meets the needs of most truck mounted cylinders



Counterbalance Valve Shown in a Wing Loc Application



F E A T U R E S

- Prevents Cylinder Drift
- Hose Break Protection
- Thermal Relief Protection
- Pilot Line Use High Pressure Tubing

Cylinder Port	Holding Valve	①	②	③	④	⑤
3/8" NPT	C11312-0220	5500-06-06	5502-06-06	2501-06-04	5602-06-06-06	2404-06-06
1/2" NPT	C11312-0220	5500-08-06	5502-06-08	2501-06-04	5602-08-08-08	2404-06-08
SAE 08	C11314-0220	6801-08-08 and 6402-08-08*	6801-08-08	6801-06-04	GP-6400-08-08-04	6400-06-04

As shown mounted on the rod end port, the counterbalance valve prevents the cylinder from extending. To prevent the cylinder from retracting, mount valve on the base port of the cylinder. The chart above shows the standard fittings needed for a typical Wing Loc cylinder mount. FORCE America will provide kits to include the adapter fittings & tube noted above with the respective counterbalance valve. These kits are sold as Wing Check 3/8, Wing Check 1/2, and Wing Check SAE 08.

C11312: Port Sizes 1 & 2 = 3/8 NPT; Port Size 3 = 1/4 NPT

C11314: Port Sizes 1 & 2 = SAE 8; Port Size 3 = SAE 4

*FORCE America supplies two adapter fittings for SAE 08 version at location 1

1-888-99-FORCE

501 East Cliff Road Burnsville, Minnesota 55337 www.forceamerica.com

Sales and Service Centers

© 2019 FORCE America, Inc.
FA927-1119-02

Bismarck, ND	800-624-7568	Denver, CO	888-833-7711	Minneapolis, MN	800-328-2732
Charlotte, NC	800-788-8598	Fort Dodge, IA	800-362-2994	Philadelphia, PA	800-492-6621
Chicago, IL	800-433-5765	Kansas City, MO	800-383-4724	Salt Lake City, UT	877-230-0505
Columbus, OH	888-449-0356	Memphis, TN	888-845-5876		
Dallas, TX	800-893-7225	Milwaukee, WI	800-722-5844		

Atlanta, GA (Atlanta Powertrain™)	888-293-2325	atlantapowertrain.com
Seattle, WA (Mobile Equipment Systems™)	800-354-9028	mobileequip.com