

F E A T U R E S

SCE Spin-A-Veyer® valves are a compact and economical electro-proportional control valve designed specifically for spreader applications. They are compatible with most electronic spreader controllers and provide independent control of both the auger, spinner, and liquid output flows. The SCE Spin-A-Veyer® can be used alone or within a central hydraulic system. With a high flow inlet, and optional cartridge valve flows, it can easily adapt to light, medium, and heavy duty spreader applications.

Pressures to 3,500 PSI

- Capable of operating the most demanding spreader applications

Pressure Compensated Flows to 22 GPM

- Accommodates most popular spreaders, including tailgate and V-box

Unparalleled Meterability

- Operator achieves precise and repeatable material distribution

High Flow Relief

- Can serve as main relief in central hydraulic system

Adaptable to Gear Pump or Load-Sensing Systems

- Accommodates open or closed center circuits

Integrated Power Beyond

- Provides spreader priority when plumbed before main control valve (when applicable)

Hardened Cartridge Bores and Spools

- Increased service life and greater resistance to contaminants

Manual Override Standard

- A must for troubleshooting and emergency backup

Easy to Service and Repair

- Cartridge style elements are serviceable within minutes

Optional Weather Resistant Enclosure

- Gasketless design that stops harmful salt spray while venting damaging moisture

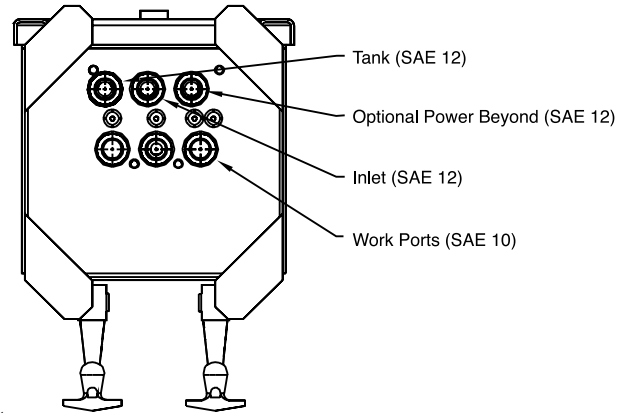
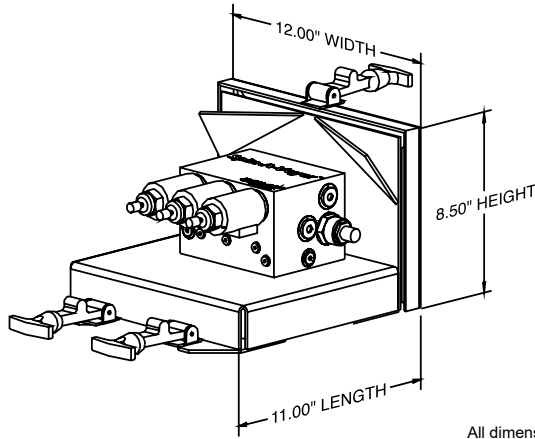
Manufactured by FORCE America's Valve Manufacturing Division

- The recognized leader in quality and cost effective solutions



Available with two or three valve spools.

Installation Information



All dimensions are approximate

Specifications

Valve

Nominal Flow Rating.....35 gpm
 Operating Pressure (maximum).....3500 psi
 Temperature Range.....-20° F to +180° F
 Fluid Requirements.....petroleum
 Filtration Requirements.....ISO 4406 18/14/100%
 Seals.....BUNA-N
 Mounting Sensitivity.....none

Electrical

Rated Voltage.....12 VDC
 Coil Resistance (at 68°).....4.7 ohms
 Current.....1.5 amps
 Power.....18 Watts
 Duty Cycle.....100%
 Frequency.....100-400 Hz PWM
 Standard Electrical Connector.....Weatherpack®
 Optional Electrical Connector.....DIN

Product Specifications

Series	# of Sections	Inlet	1	2	3	Relief	Connector
SCE							
CODE		CODE		CODE	Flow	CODE	Type
SCE		UL Unloader LS Load Sense		07 7 gpm 14 14 gpm		D DIN Omit Weatherpack®	
	CODE		CODE			CODE	Adjustable Relief
	# of Sections					AR	Set at 2000 psi
	2 2 Section 3 3 Section		07 7 gpm 14 14 gpm 22 22 gpm				

1-888-99-FORCE

501 East Cliff Road Burnsville, Minnesota 55337 www.forceamerica.com

Sales and Service Centers

Bismarck, ND 800-624-7568	Denver, CO 888-833-7711	Minneapolis, MN 800-328-2732
Charlotte, NC 800-788-8598	Fort Dodge, IA 800-362-2994	Philadelphia, PA 800-492-6621
Chicago, IL 800-433-5765	Kansas City, MO 800-383-4724	Salt Lake City, UT 877-230-0505
Columbus, OH 888-449-0356	Memphis, TN 888-845-5876	
Dallas, TX 800-893-7225	Milwaukee, WI 800-722-5844	