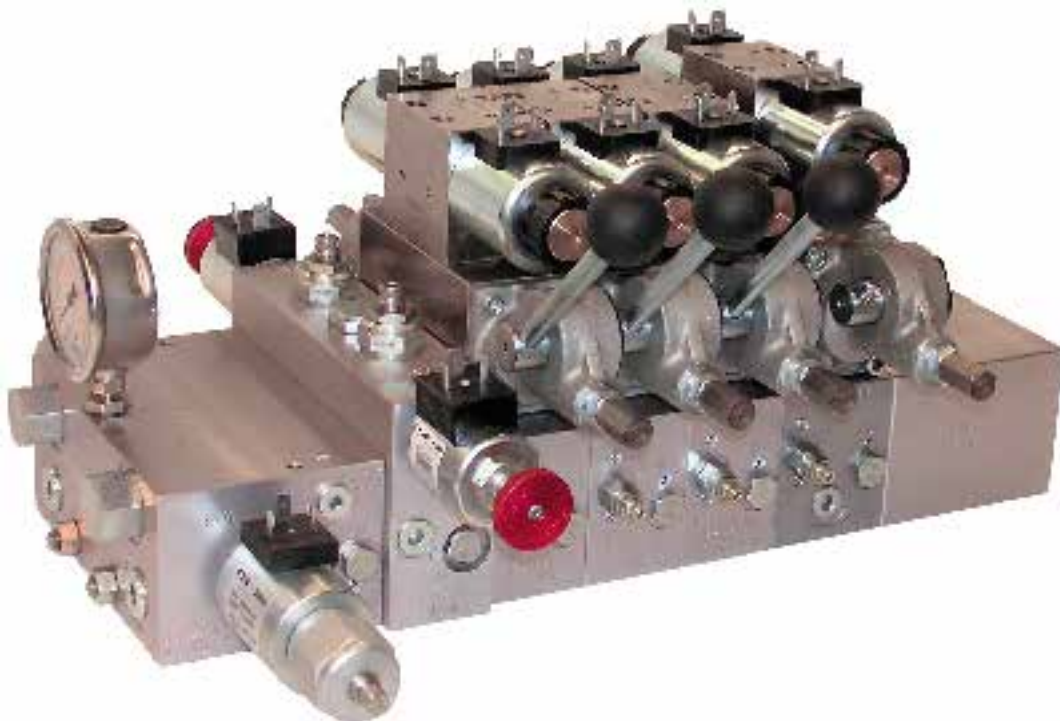


F E A T U R E S

The Add-A-Fold® valve is a multifunctional valve originally designed to control cylinders and motors on truck applications. The enclosure is a cost effective solution to protect the valve from typical corrosion problems of "exposed" valves. A simple rubber latched cover employs a gasketless weather resistant seal design that stops harmful salt spray.

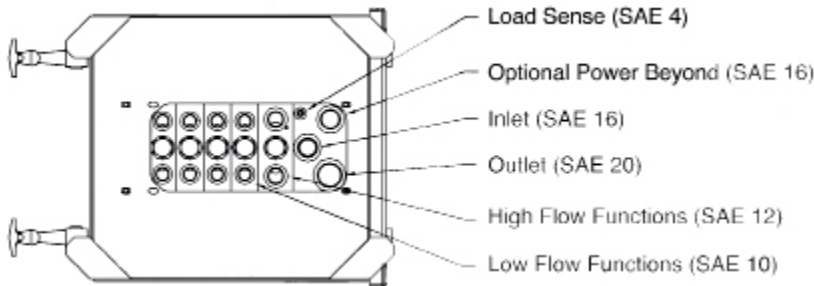
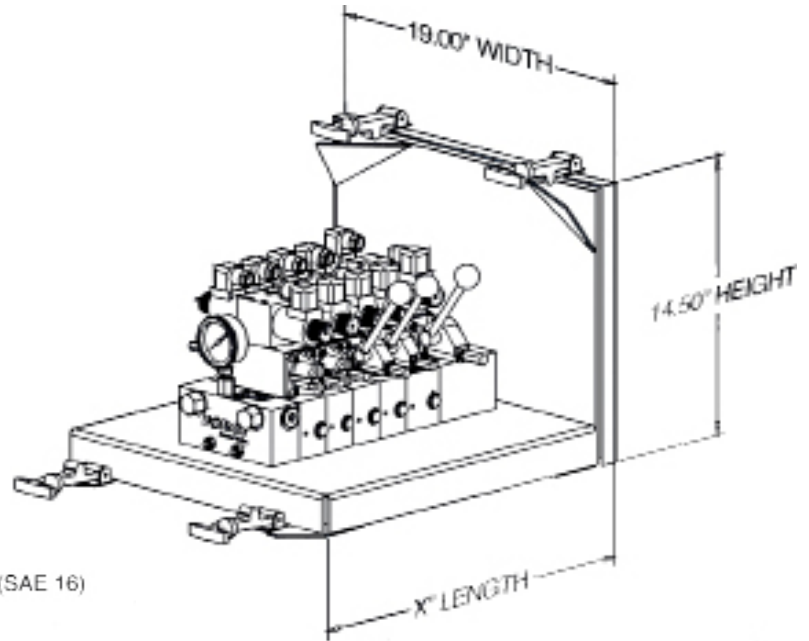
- **Manifold Mounted Valve Sections**
 - Unsurpassed serviceability with bolt-on style valve sections
- **Modular Sub-Base Design**
 - Provides unlimited configurations of valve sizes, including optional pressure compensation and work port reliefs
- **Rack and Pinion Manual Handle Overrides**
 - Assists in troubleshooting and repair, with the added security of a robust manual control
- **Unique Self-Piloted Electric Actuators**
 - Pilot coils use full internal system pressure, no pilot lines, filters, or reducing valves required
- **Gear Pump or Load-Sensing Versions Available**
- **Optional Manifolds**
 - Dual 2-way and zero leak three and four way elements provide enhanced performance
- **Pre-Wired Valve Harnesses**
- **Level Ports All Exit on the Bottom Side**



Installation Information

Dim.	Valve Sections					
	2-3	4-5	6-7	8-9	10-11	12-13
X	16.50	20.50	24.00	27.75	31.50	35.00

All dimensions are approximate.



Valve Specifications

- Nominal Inlet flow rating.....50 gpm*
- Operating Pressure (maximum)
 - Model 30.....3000 psi
 - Model 45.....4500 psi
- Temperature Range.....-40°F to +180°F
- Fluid requirement.....petroleum based 35-1750 ssu
- Filtration Requirements.....ISO 4406 18/14
- Seals.....BUNA-N
- Mounting sensitivity.....none

Electrical Specifications

- Rated Voltage.....12 VDC
- Coil resistance (at 68°).....6.5 ohms
- Current.....2 amps
- Power.....24 watts
- Duty cycle.....100%
- Frequency.....50 Hz pwm
- Electrical connector.....Din 43650A



Add-A-Fold® valves are also available in the VT-35 Valve/Tank assembly. The VT-35 valve tank assembly combines the valve enclosure and tank into one easy to install assembly. All components: tank, valve, filter, filler/breather, sensors, cables, valve fittings, and hose ends are under one rubber latched cover.

1-888-99-FORCE

501 East Cliff Road Burnsville, Minnesota 55337 www.forceamerica.com

Sales and Service Centers

Bismarck, ND	800-624-7568	Denver, CO	888-833-7711	Minneapolis, MN	800-328-2732
Charlotte, NC	800-788-8598	Fort Dodge, IA	800-362-2994	Philadelphia, PA	800-492-6621
Chicago, IL	800-433-5765	Kansas City, MO	800-383-4724	Salt Lake City, UT	877-230-0505
Columbus, OH	888-449-0356	Memphis, TN	888-845-5876		
Dallas, TX	800-893-7225	Milwaukee, WI	800-722-5844		

© 2019 FORCE America, Inc.
FA502-1019-03

Atlanta, GA (Atlanta Powertrain™)	888-293-2325	atlantapowertrain.com
Seattle, WA (Mobile Equipment Systems™)	800-354-9028	mobileequip.com