

F E A T U R E S

The FORCE America Remote Mount Valve (RMV) Series is a valve/tank combination for medium duty truck chassis. The 12VDC actuated hydraulic valve is ideal for double acting hoists. The RMV Series is easily combined with a PTO and pump for a complete package.

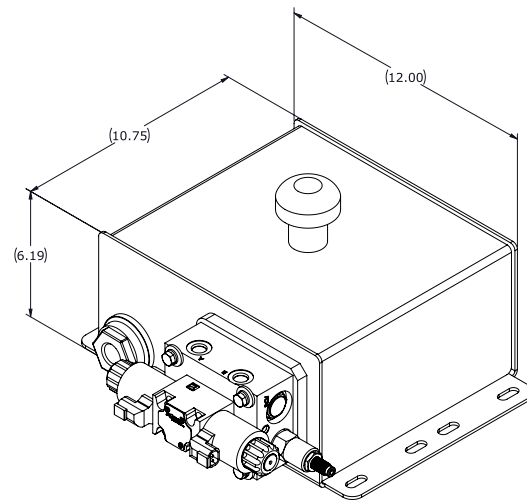
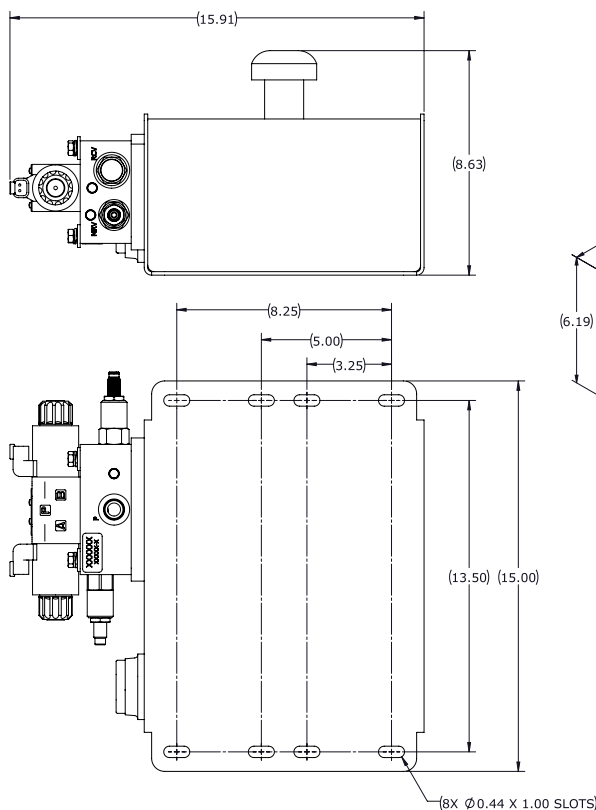
- Simple plug-and-play installation
- Pre-drilled reservoir mounting holes for quick installation
- Sub-plate mounted control valve
- Integrated 500 psi downside relief in valve circuit
- Compact low profile 3 gallon reservoir design
- Includes filler breather, suction strainer and drain plug
- Multiple control options available



Package Dimensions

Valve Information:

- #10 ORB pressure port
- #8 ORB work ports
- D03 sub-plate standard mount



Model Code Layout

RMV Series
Remote Mount Valve Tank

3 Tank
3 Gallon Reservoir

4-12VDC Control Valve
4-12VDC = 4-Way 12VDC Valve

SP Control Option
LS = Less Switch
SP = Dash Mount Switch Package
TS = Teathered Switch



Dash Mount Switch



Teathered Switch



1-888-99-FORCE

501 East Cliff Road Burnsville, Minnesota 55337 www.forceamerica.com

Sales and Service Centers

© 2019 FORCE America, Inc.
FA1072-1119-04

Bismarck, ND	800-624-7568	Denver, CO	888-833-7711	Minneapolis, MN	800-328-2732
Charlotte, NC	800-788-8598	Fort Dodge, IA	800-362-2994	Philadelphia, PA	800-492-6621
Chicago, IL	800-433-5765	Kansas City, MO	800-383-4724	Salt Lake City, UT	877-230-0505
Columbus, OH	888-449-0356	Memphis, TN	888-845-5876		
Dallas, TX	800-893-7225	Milwaukee, WI	800-722-5844		

Atlanta, GA (Atlanta Powertrain™) 888-293-2325 atlantapowertrain.com
Seattle, WA (Mobile Equipment Systems™) 800-354-9028 mobileequip.com