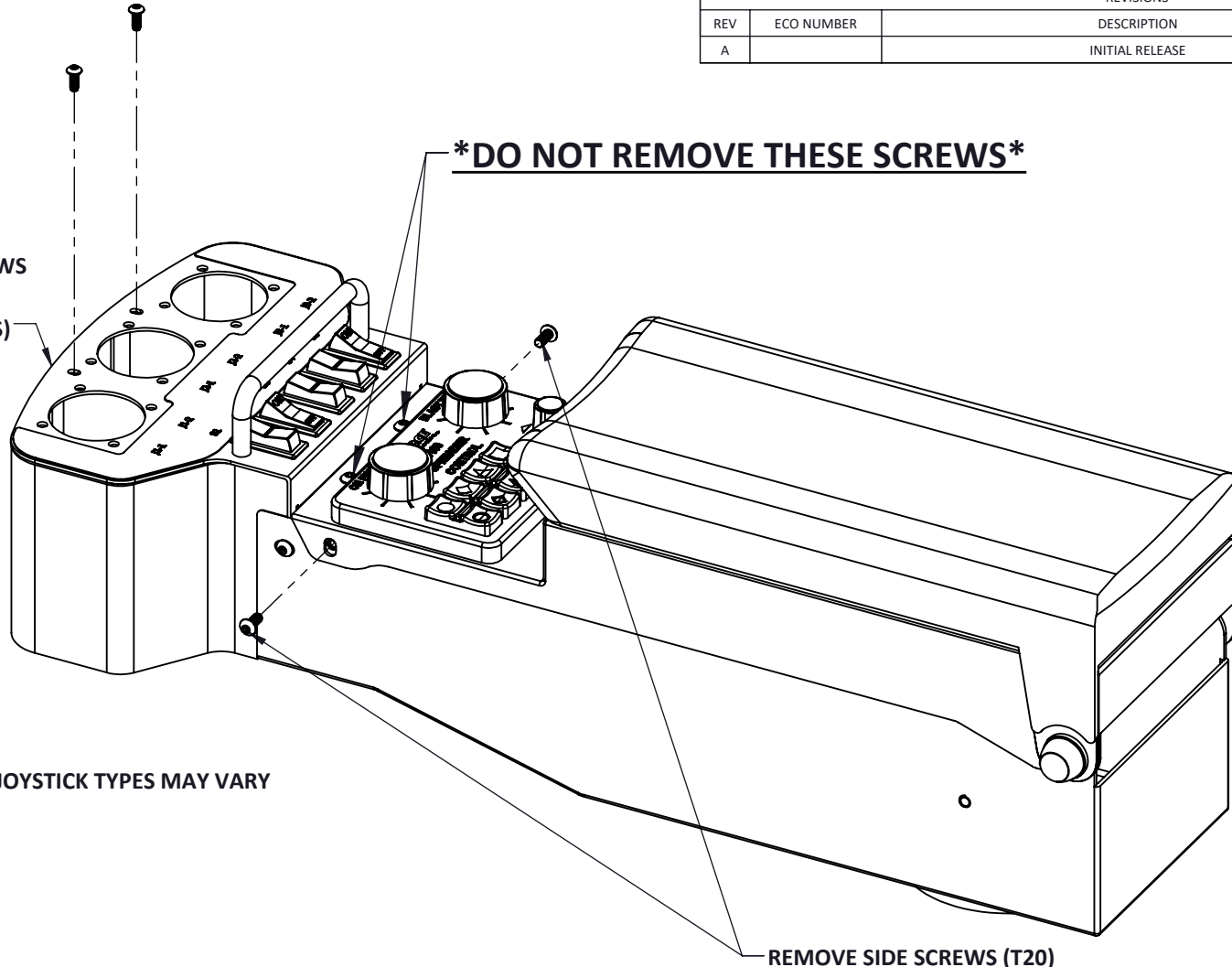


		REVISIONS		
REV	ECO NUMBER	DESCRIPTION	DATE	BY
A		INITIAL RELEASE	2/9/2022	DGH

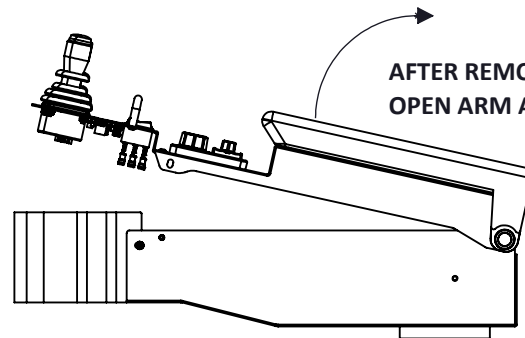
REMOVE TOP SCREWS
(T15 ON 3-STICK,
T20 ON ALL OTHERS)



DO NOT REMOVE THESE SCREWS

*JOYSTICK TYPES MAY VARY

REMOVE SIDE SCREWS (T20)



AFTER REMOVING SCREWS,
OPEN ARM AS SHOWN.

THIS DRAWING IS THE PROPERTY OF FORCE AMERICA, INC. IT CONTAINS PROPRIETARY INFORMATION AND IS TRANSMITTED AS A CONFIDENTIAL DISCLOSURE. IT MAY NOT BE COPIED OR ITS CONTENTS REVEALED TO OTHERS WITHOUT WRITTEN CONSENT OF FORCE AMERICA, INC.				
MATERIAL			DRAWN BY	
TOLERANCE - INCHES UNLESS OTHERWISE SPECIFIED. DEC. XX ±.010 DEC. XXX ±.005 ANGULAR: MACH ± 2°			DATE	APPV'D BY
THIRD ANGLE PROJECTION	SIZE	DWG. NO.	DATE	
	A	4540	TITLE	
			INSTALLATION, ARM, OPENING ARM, MAINTENANCE	
SCALE 1:4		DO NOT SCALE DRAWING	SHEET 1 OF 1	
			REV	A