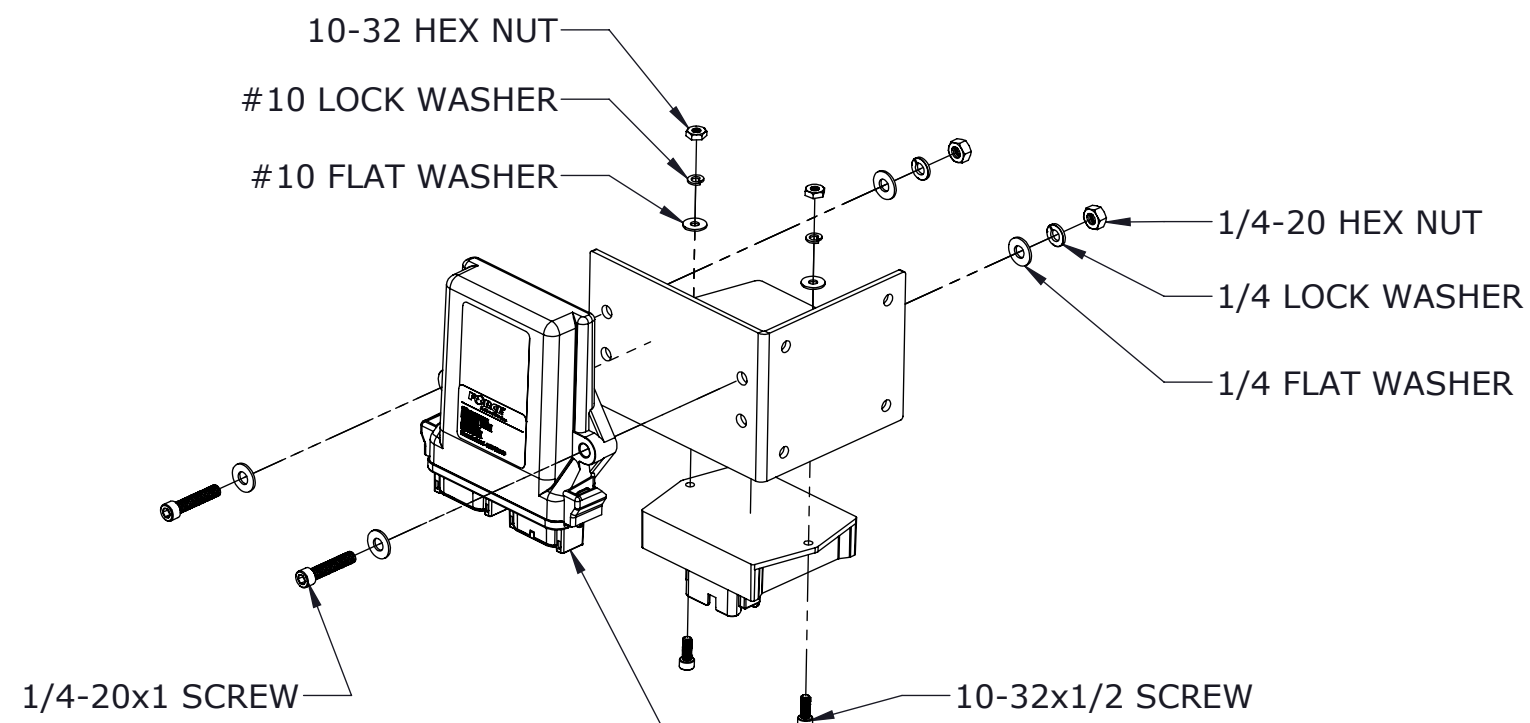
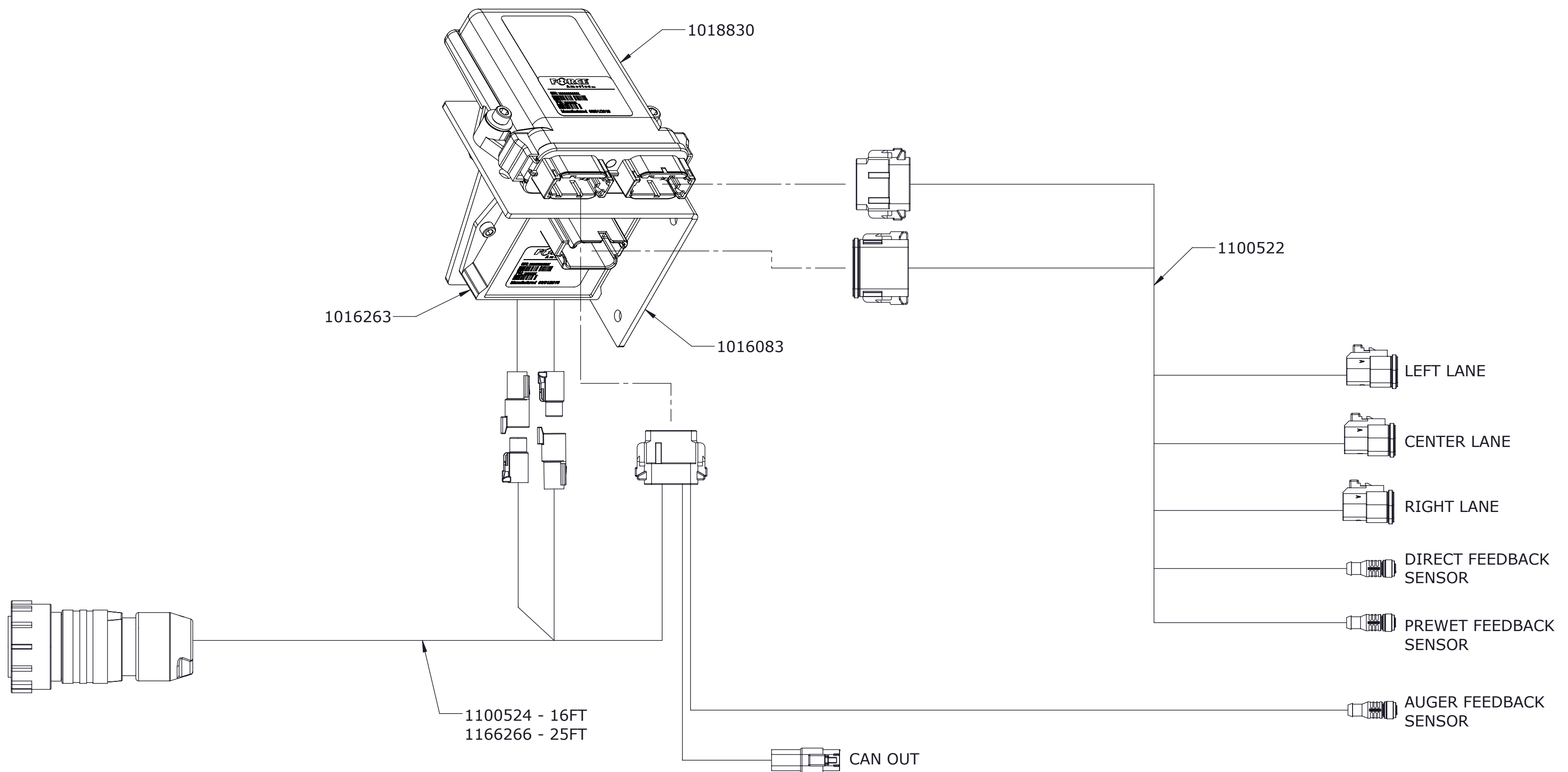


REVISIONS				
REV	ECO NUMBER	DESCRIPTION	DATE	BY
A	001498	INITIAL RELEASE	8/25/2015	JNP
B		FORMAT CHANGED	7/22/2021	DGH

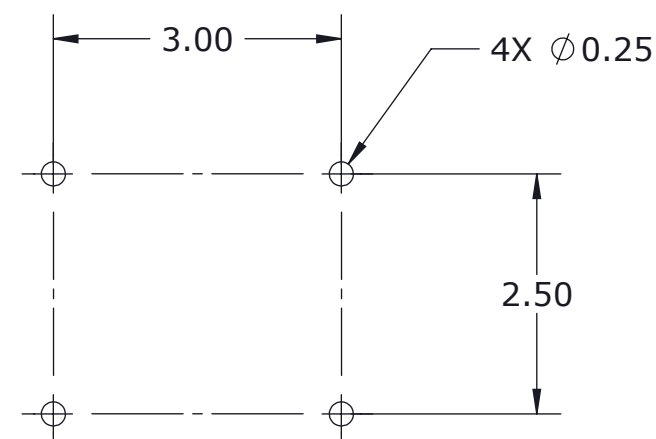
KIT OPTIONS:
 1100564 - 16FT
 1166267 - 25FT

ISOBUS
 CONNECT TO
 MATING ISOBUS
 CONNECTOR LOCATED
 AT REAR OF VEHICLE



DIRECT MODULE
 MOUNT TO BRACKET WITH CONNECTORS
 FACING DOWNWARD AS SHOWN.

BRACKET MOUNTING PATTERN
 FOR REFERENCE USE ONLY



THIS DRAWING IS THE PROPERTY OF FORCE AMERICA, INC. IT CONTAINS PROPRIETARY INFORMATION AND IS TRANSMITTED AS A CONFIDENTIAL DISCLOSURE. IT MAY NOT BE COPIED OR ITS CONTENTS REVEALED TO OTHERS WITHOUT WRITTEN CONSENT OF FORCE AMERICA, INC.

MATERIAL			DRAWN BY DGH	
TOLERANCE, INCHES UNLESS OTHERWISE SPECIFIED.			DATE 7/22/2021	
DEC. XX ±.010	DEC. XXX ±.005	APP'VD BY		
ANGULAR: MACH ± 2°		DATE		
THIRD ANGLE PROJECTION		TITLE		
		INSTALLATION, KIT, ISOBUS, SIMULTANEOUS, 6100		
SIZE C	DWG. NO. 4537	REV A		
SCALE 1:2	DO NOT SCALE DRAWING	SHEET 1 OF 1		