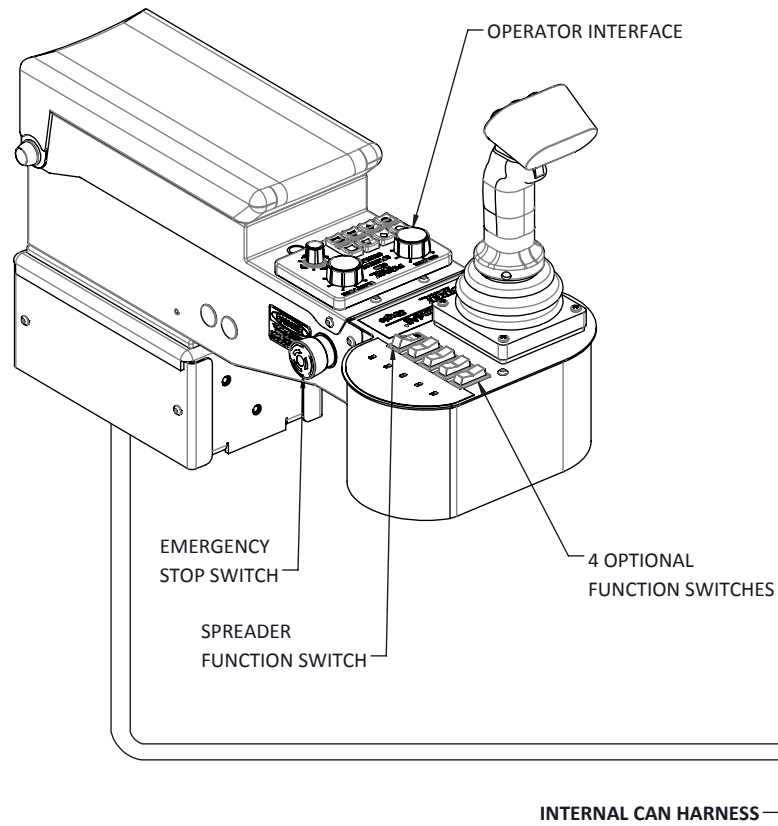
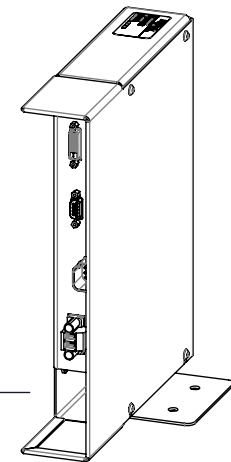


REVISIONS				
REV	ECO NUMBER	DESCRIPTION	DATE	BY
A	005460	INITIAL RELEASE	6/14/2018	DGH



**6100 HUB**  
**SEE DOCUMENT # 4511 FOR**  
**MODULE INSTALLATION INSTRUCTIONS.**



THIS DRAWING IS THE PROPERTY OF FORCE AMERICA, INC. IT CONTAINS PROPRIETARY INFORMATION AND IS TRANSMITTED AS A CONFIDENTIAL DISCLOSURE. IT MAY NOT BE COPIED OR ITS CONTENTS REVEALED TO OTHERS WITHOUT WRITTEN CONSENT OF FORCE AMERICA, INC.				
MATERIAL			DRAWN BY	DGH
TOLERANCE - INCHES UNLESS OTHERWISE SPECIFIED. DEC. XX ±.010 DEC. XXX ±.005 ANGULAR: MACH ±.2°			DATE	6/14/2018
	THIRD ANGLE PROJECTION	SIZE	DWG. NO.	REV
	A	4509		A
SCALE 1:6		DO NOT SCALE DRAWING		SHEET 1 OF 1
TITLE			INSTALLATION, ASM, CommandAll®, SINGLE, GEN 5	