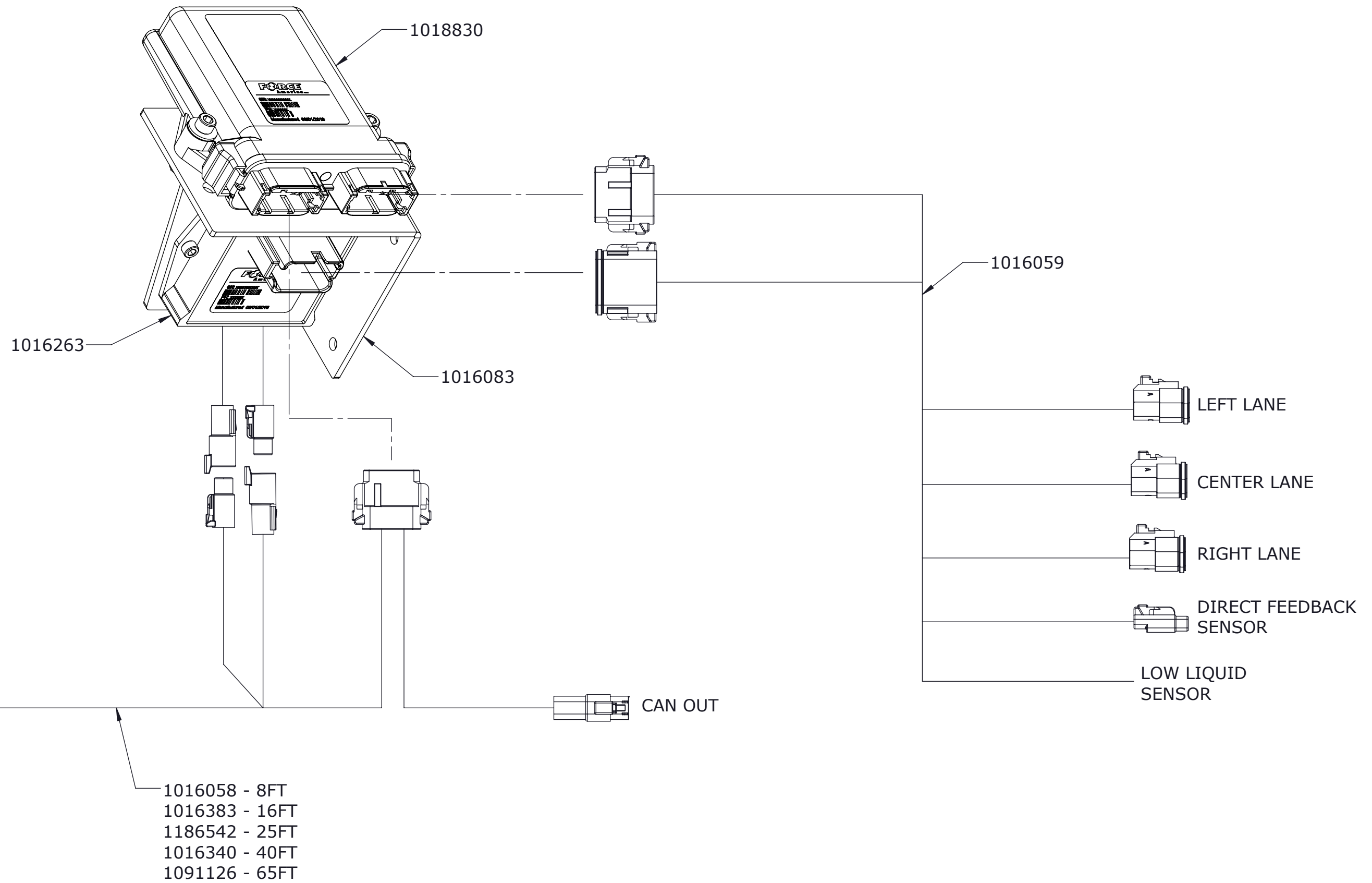
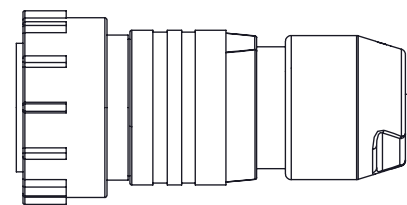


REVISIONS				
REV	ECO NUMBER	DESCRIPTION	DATE	BY
A	001498	INITIAL RELEASE	8/25/2015	JNP
B		FORMAT CHANGED	7/22/2021	DGH

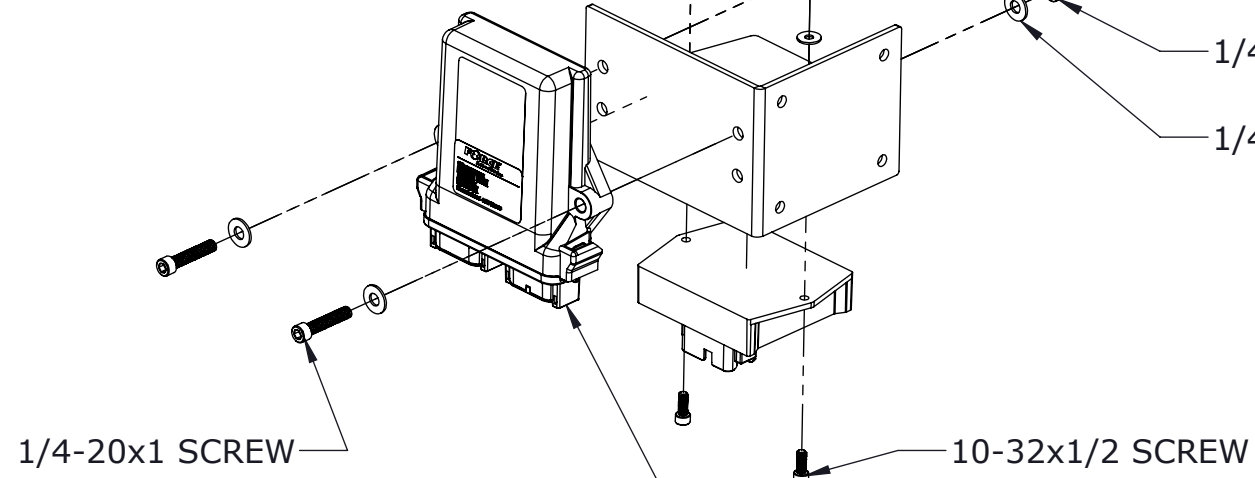
KIT OPTIONS:

- 1018614 - 8FT
- 1018613 - 16FT
- 1186543 - 25FT
- 1091149 - 40FT
- 1091150 - 65FT

ISOBUS
CONNECT TO
MATING ISOBUS
CONNECTOR LOCATED
AT REAR OF VEHICLE

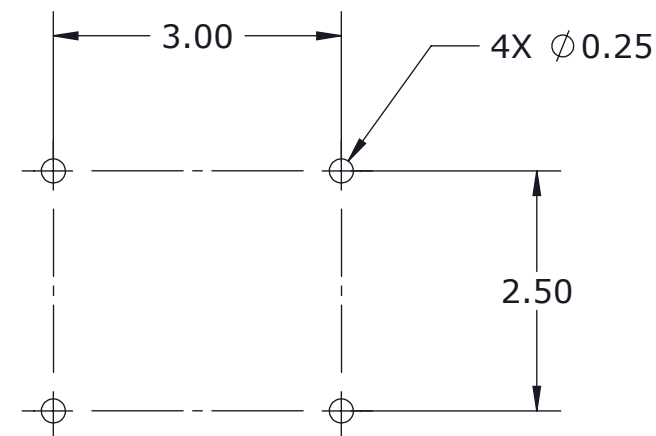


- 10-32 HEX NUT
- #10 LOCK WASHER
- #10 FLAT WASHER
- 1/4-20 HEX NUT
- 1/4 LOCK WASHER
- 1/4 FLAT WASHER



DIRECT MODULE
MOUNT TO BRACKET WITH CONNECTORS
FACING DOWNWARD AS SHOWN.

BRACKET MOUNTING PATTERN
FOR REFERENCE USE ONLY



THIS DRAWING IS THE PROPERTY OF FORCE AMERICA, INC. IT CONTAINS PROPRIETARY INFORMATION AND IS TRANSMITTED AS A CONFIDENTIAL DISCLOSURE. IT MAY NOT BE COPIED OR ITS CONTENTS REVEALED TO OTHERS WITHOUT WRITTEN CONSENT OF FORCE AMERICA, INC.

MATERIAL				DRAWN BY JNP	
TOLERANCE, INCHES UNLESS OTHERWISE SPECIFIED.				DATE 08/21/2015	
DEC. XX ±.010	DEC. XXX ±.005	APP'D BY		DATE	
ANGULAR: MACH ± 2°		TITLE			
THIRD ANGLE PROJECTION		INSTALLATION, KIT, ISOBUS, DLA, 6100			
SIZE C	DWG. NO. 4404	SCALE 1:2		DO NOT SCALE DRAWING	REV B
SHEET 1 OF 1				SHEET 1 OF 1	