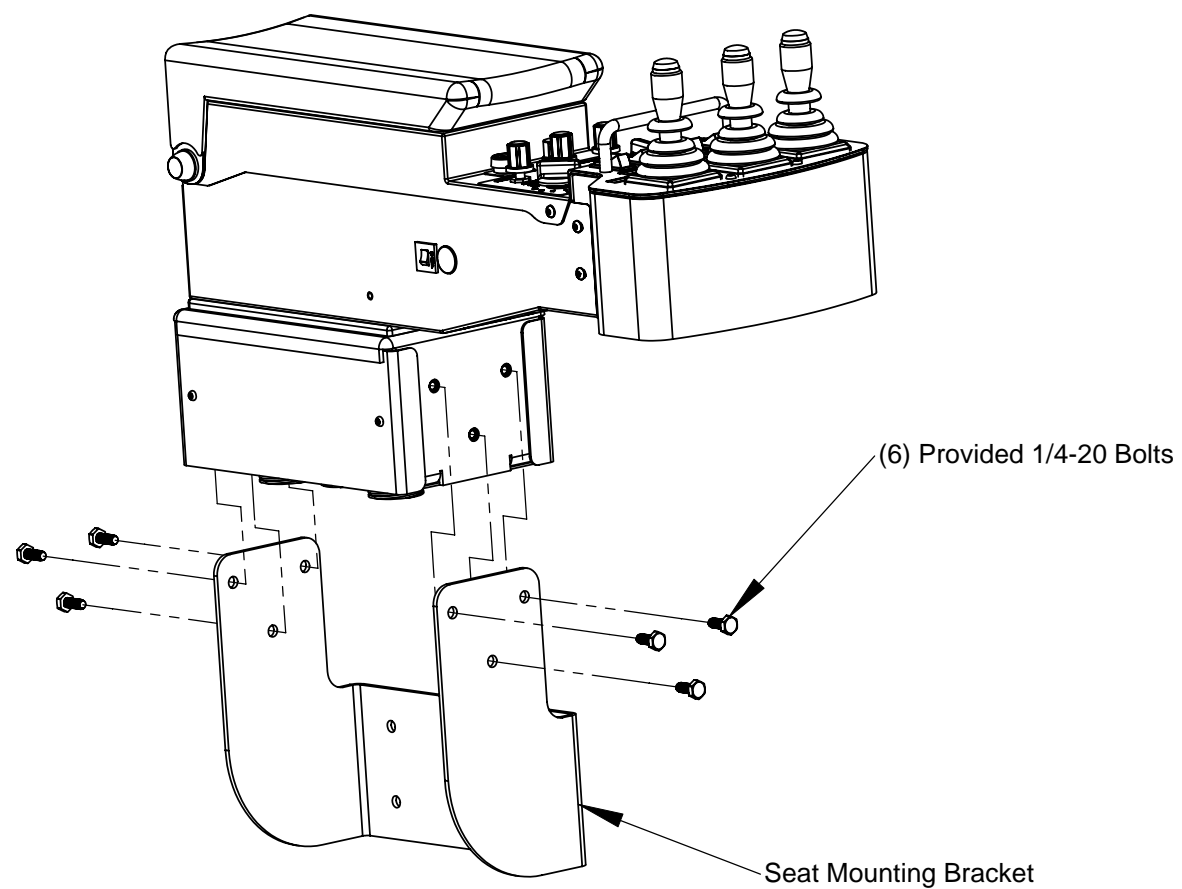
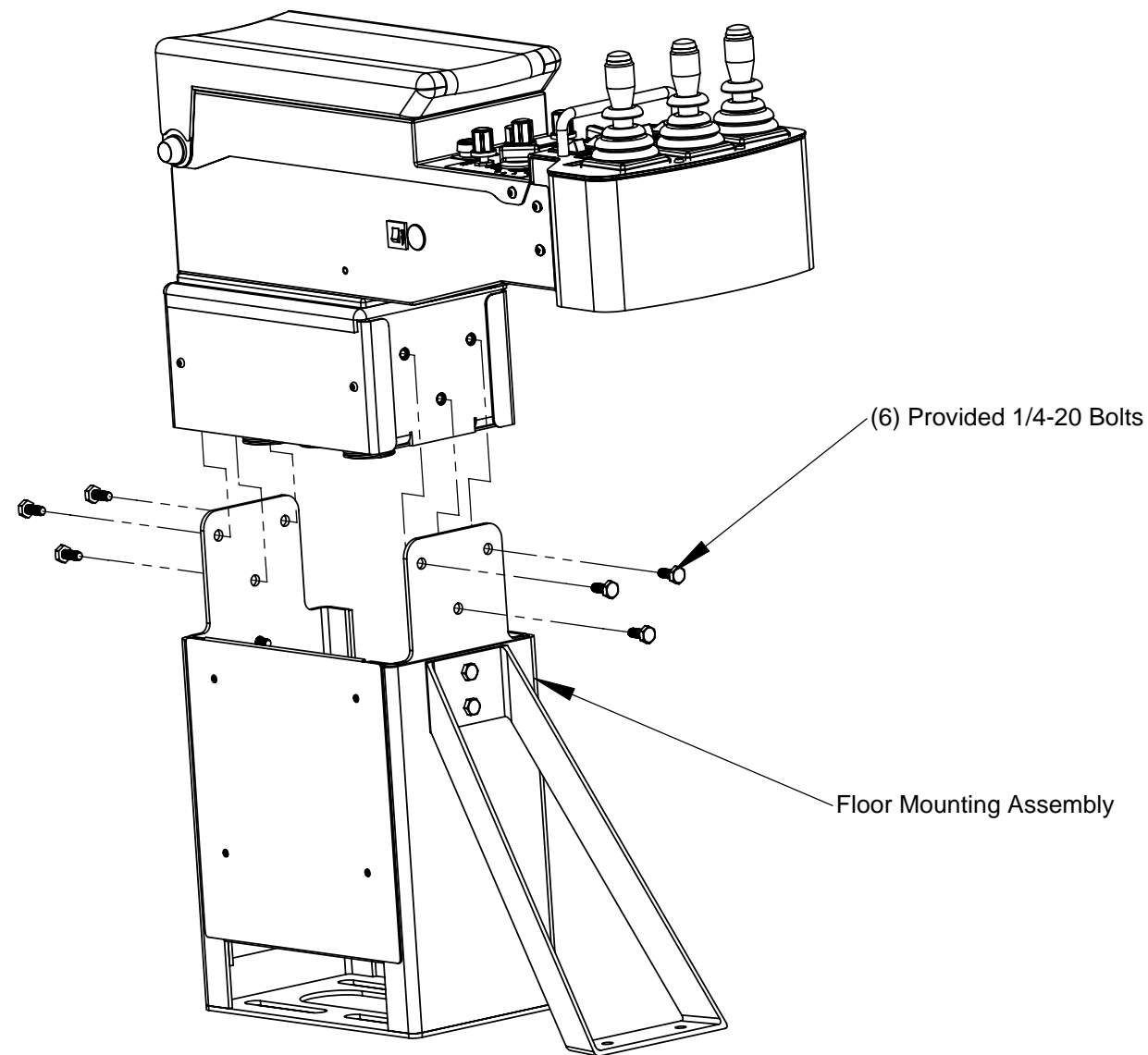


REVISIONS				
REV	ECO	DESCRIPTION	DATE	BY
1	P1161	Initial drawing release.	04/30/2007	DJZ
A	P1161	Production drawing release.	04/30/2007	DJZ



Seat Mounting Option



Floor Mounting Option

THIS DRAWING IS THE PROPERTY OF FORCE AMERICA, INC. IT CONTAINS PROPRIETARY INFORMATION AND IS TRANSMITTED AS A CONFIDENTIAL DISCLOSURE. IT MAY NOT BE COPIED OR ITS CONTENTS REVEALED TO OTHERS WITHOUT THE WRITTEN CONSENT OF FORCE AMERICA, INC.

TOLERANCE, INCHES (MM)
 DEC. .XX .010
 DEC. .XXX .005
 ANGULAR ± 2°



DWG DJZ 04/30/2007
 LAB -
 ENG DJZ 04/30/2007

TITLE
 Installation, Patrol Commander, Ultra Mounting Options

DO NOT SCALE	SCALE 1/5	SIZE B	REV. A	PART NO. N/A	DWG NO. 3034-A	Sheet 1 of 1
--------------	-----------	--------	--------	--------------	----------------	--------------