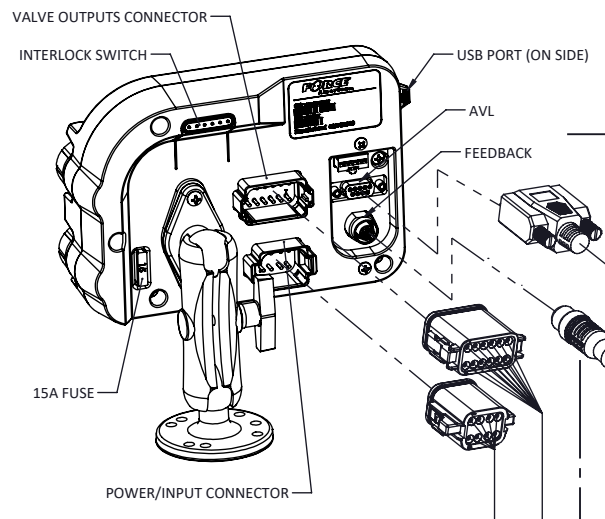


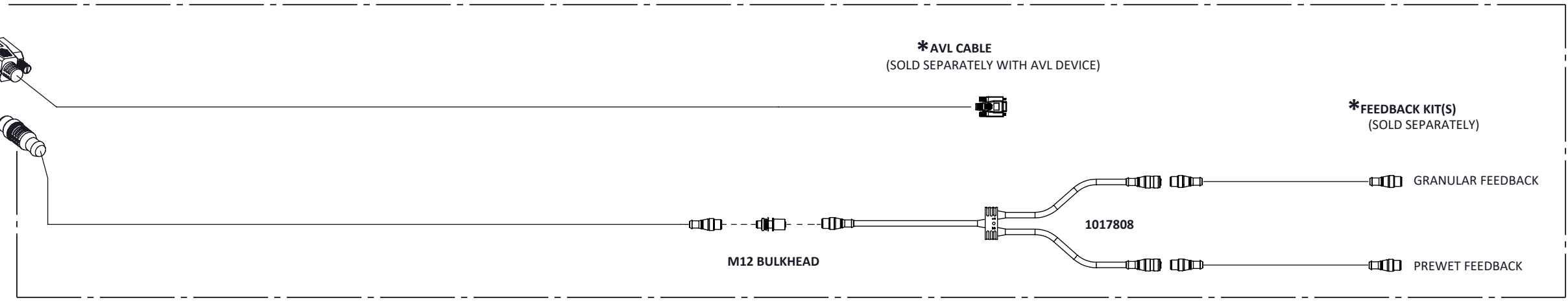
REVISIONS				
REV	ECO NUMBER	DESCRIPTION	DATE	BY
B		ADDED INFORMATION ON FORCE ONE SYSTEM	2/22/2021	DGH
C		ADDED 1191801 TO SPREADER CONTROL	12/18/2024	SMT
D		UPDATED SPREADER CONTROL TO GEN2	9/10/2025	TMX

***OPTIONAL**



***AVL CABLE**
(SOLD SEPARATELY WITH AVL DEVICE)

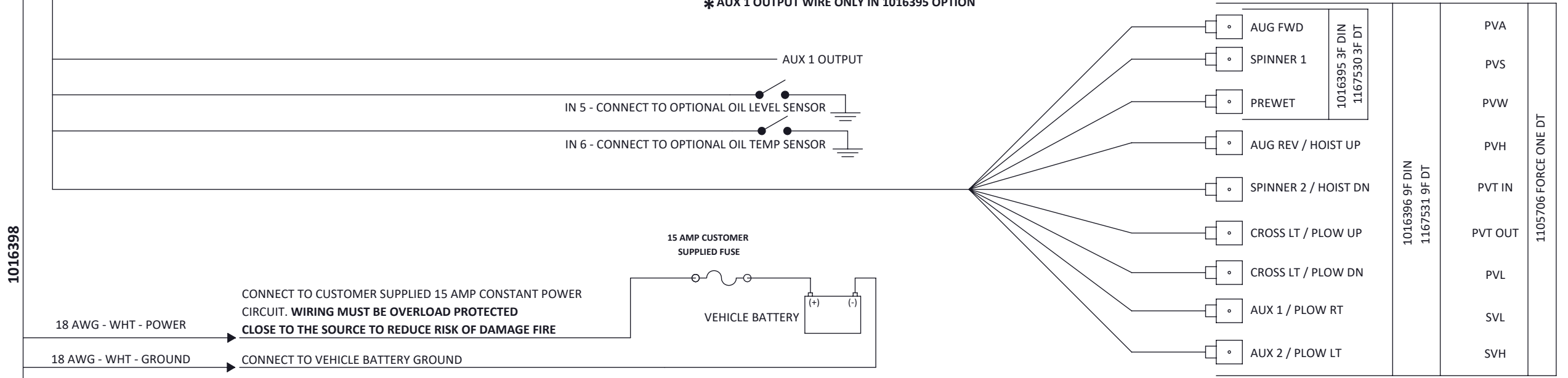
***FEEDBACK KIT(S)**
(SOLD SEPARATELY)



SPREADER CONTROL

- 1018958 - 5100EX
- 1191801 - 5100EX GEN2
- 1120409 - 5150EX
- 1120410 - FORCE ONE

*** AUX 1 OUTPUT WIRE ONLY IN 1016395 OPTION**



*** DIN STYLE CONNECTORS SHOWN.**
DEUTSCH STYLE CONNECTOR OPTIONS AVAILABLE.

1016398

THIS DRAWING IS THE PROPERTY OF FORCE AMERICA, INC. IT CONTAINS PROPRIETARY INFORMATION AND IS TRANSMITTED AS A CONFIDENTIAL DISCLOSURE. IT MAY NOT BE COPIED OR ITS CONTENTS REVEALED TO OTHERS WITHOUT WRITTEN CONSENT OF FORCE AMERICA, INC.

MATERIAL		DRAWN BY	SMT
DIMENSIONS ARE IN INCHES UNLESS OTHERWISE SPECIFIED. REFER TO STANDARD DRAWING S0069 FOR WIRE AND CABLE CUT LENGTH TOLERANCES.		DATE	8/13/2019
REFER TO STANDARD DRAWING S0073 FOR AXIAL PULL-OUT FORCE THAT ALL CRIMPS MUST WITHSTAND	TITLE	APP'VD BY	SJM
THIRD ANGLE PROJECTION	INSTALLATION, 5100EX, SPREADER CONTROL	DATE	9/11/2025
SIZE DWG. NO.	B 4521	REV	D
NOT TO SCALE	DO NOT SCALE DRAWING	SHEET 1 OF 1	